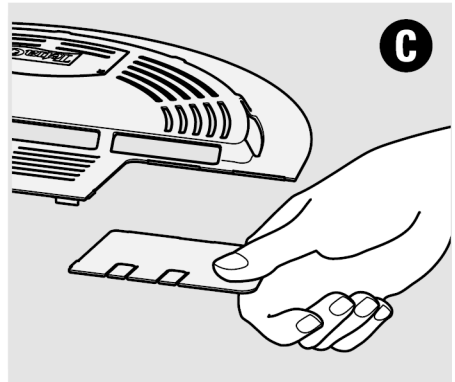
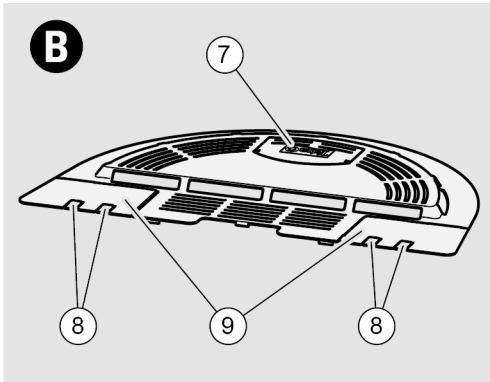
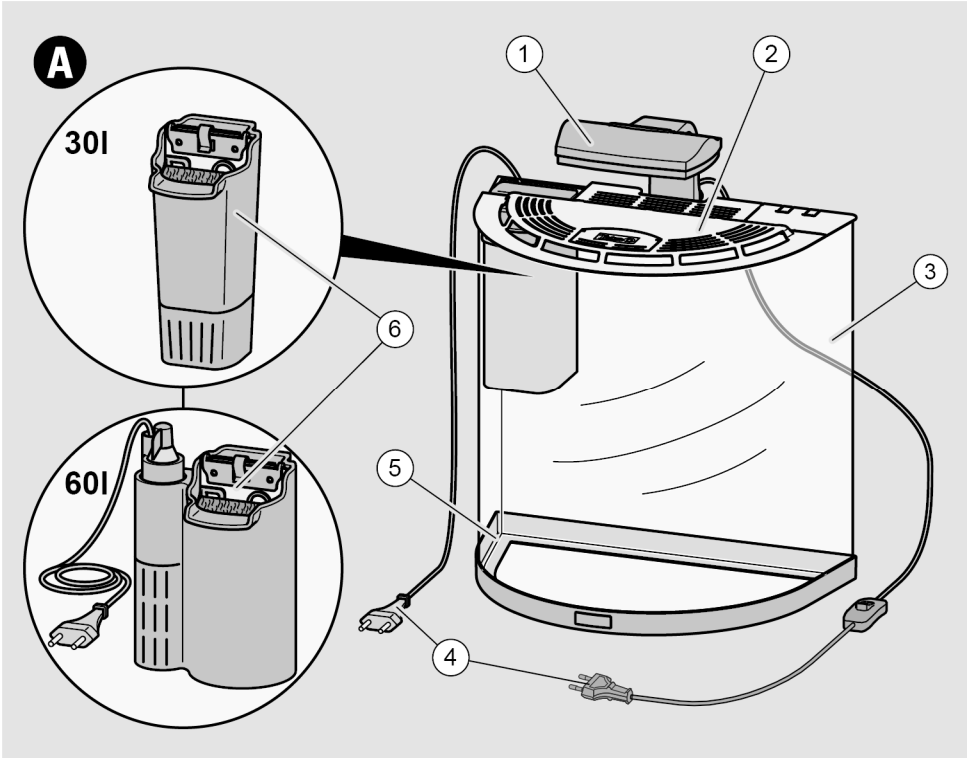


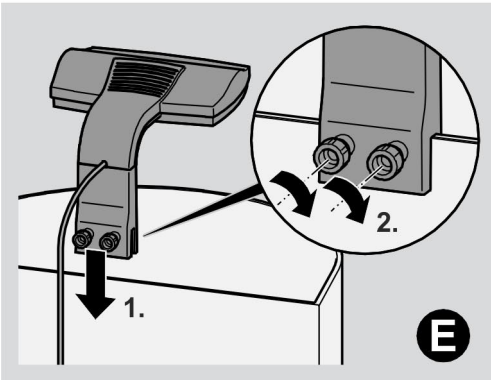
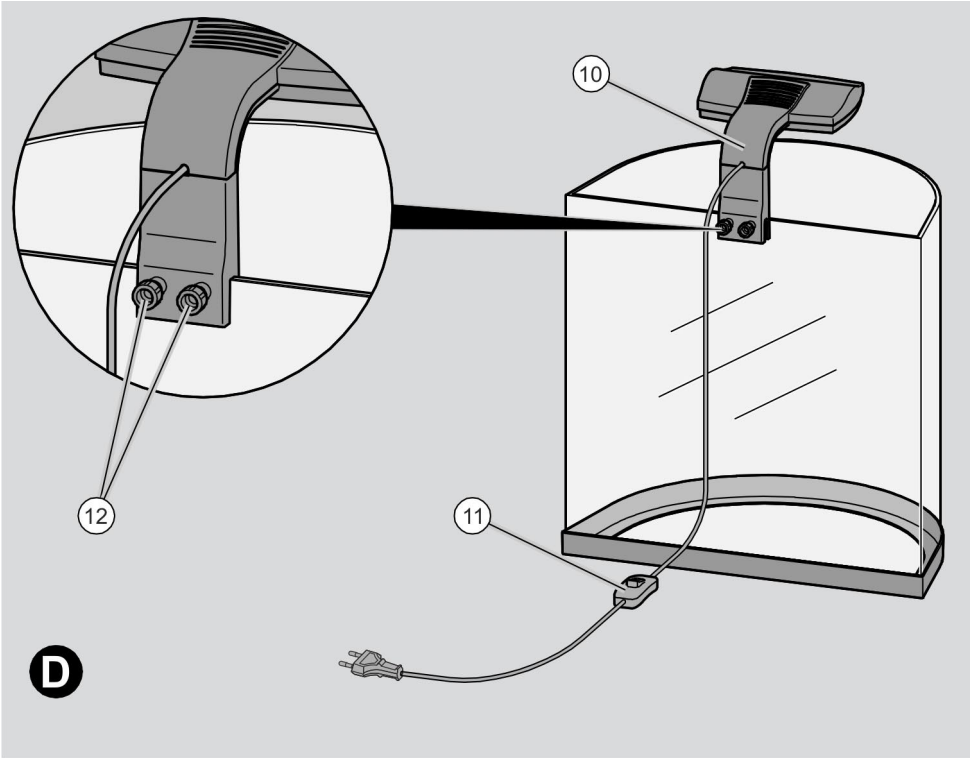


AquaArt Explorer Line 30 l/60 l



D Gebrauchsanleitung	4
UK Operating instructions	11
F Mode d'emploi	19
NL Gebruiksaanwijzing	27
I Istruzioni	34
E Instrucciones	41
P Manual de instruções	49
S Bruksanvisning	57
DK Brugsanvisning	64
PL Instrukcja użytkowania	71
CZ Návod k použití	79
RUS Руководство по эксплуатации	86





English translation of the original German instructions

WARNING

- This device is suitable for use by children aged 8 and over as well as people with reduced physical, sensory or mental capacities or a lack of experience and knowledge if they are supervised or have been instructed how to safely use the device and understand the resultant risks.
- Children must not play with the device.
- Children must not conduct cleaning or user maintenance activities without supervision.
- Switch off and unplug all devices in your aquarium before reaching into the water.
- Damaged connection cables cannot be replaced. Dispose of the device.

Safety instructions

Preventing hazardous situations

- Only connect the LED light to a professionally installed plug socket.
- Make sure that the mains supply system is protected by an AC/DC-sensitive residual current circuit-breaker (RCCB).
- Only connect the LED light to the mains if the local supply voltage corresponds to the specifications in the technical data.
- Protect the power plug from moisture.
- Never touch the power cables and plugs of electrical devices with wet hands.
- Make sure that the socket is immune to the ingress of water and moisture.
- Pull only on the plug to remove it from the socket – do not pull on the power cable.
- Always disconnect the LED light from the mains before cleaning or carrying out any maintenance tasks.
- Do not allow children to play with small parts as there is a risk of choking.
- The power plug must be freely accessible so that the LED light can be easily and quickly disconnected from the mains in an emergency.
- Never make any technical changes to the device.

Preventing material damage

- Do not bend or crush the mains connection cable.
- Only use original spare parts and accessories.
- Never transport the aquarium when it is filled.
- Only clean the aquarium with soft cloths or sponges.
- For cleaning purposes, use clean water or special cleaning products for aquaria.

Preface

These instructions constitute an integral part of the product. Keep these instructions near the product. Please include the instruction manual when passing on the product.

Table of contents

Safety instructions	4
Preface	5
Table of contents	5
Legend	5
Style conventions in these instructions	5
Warnings and information	5
Intended use.....	6
Installing the LED light.....	7
Installing the filter in the Explorer Line 30 l.....	7
Connecting and starting.....	8
LED light	8
Cleaning	9
Maintenance	9
Technical support.....	9
Technical data	9
Disposal.....	10
Warranty	10

Legend

(to Figures A, B, D)

No.	Description
1	LED light
2	Aquarium lid
3	Tank
4	Power cable with plugs
5	Frame
6	Filter (for the Explorer Line 30 l) Filter box with heating element (for the Explorer Line 60 l)
7	Feed flap
8	Cable guides (closed with covers upon delivery)
9	Optional positions for electrical devices (closed with covers upon delivery)
10	Light arm
11	Light switch
12	Securing screws

Style conventions in these instructions

Various elements of the instructions feature defined style conventions. As the result you can quickly recognise the type of text concerned:

Standard text

Cross references

- Lists or
- Actions

Warnings and information

These operating instructions contain the following categories of warning notices and instructions.

Warnings

CAUTION

Notes containing the word CAUTION warn of a situation which leads to slight or moderate injuries.

Information

ATTENTION!

These notes warn of a situation which leads to material damage or environmental pollution.

Intended use

The aquarium is designed exclusively for keeping ornamental fish and invertebrates such as crabs or shrimps. The maximum water temperature of 35 °C must not be exceeded. The aquarium is designed for use only in enclosed rooms. The LED light may only be mounted and operated on this aquarium.

Proper use also includes heeding all the information in these instructions and in all attached instructions and complying with the safety information.

The use of the product for any other purpose is regarded as improper and may result in damage to property or personal injury and shall render the warranty null and void.

In particular, the aquarium must not be used in the following cases:

- If you carry out unauthorised modifications or repair work.
- If you use the aquarium outside enclosed rooms.

Tetra GmbH will not accept liability for loss or damage incurred by improper use.

Unpacking and installation

There must be properly installed and earthed sockets (230 V ~ 50 Hz) near the installation site of the aquarium for the electrical devices in it.

- Pull out the plugs of all the electrical devices installed in the aquarium.
-

CAUTION

Shards of glass can cause cuts.

- Ensure that you do not break the tank.
 - Do not touch the shards of glass if the tank breaks.
 - Wear gloves.
 - Remove all shards of glass carefully.
-

ATTENTION!

The aquarium lid may be damaged and the glass broken if you unpack it incorrectly.

- Lift the aquarium by the frame only.
 - Always lift and transport the aquarium with another person.
-

- Open the packaging.
 - Carefully lift the aquarium out of the packaging.
-

ATTENTION!

The aquarium may be damaged if you select an unsuitable position for it.

- Ensure that the position is flat, horizontal and waterproof.
 - Ensure that the position for it is capable of taking the weight of the unit.
-

The load capacity of the installation position must be high enough to support three times the filled weight of the aquarium. Information about the gross weight is available in the section entitled *Technical data* starting on page 9.

- Place the aquarium with the frame at the bottom in the required position.
- Take out all the parts that are in the tank.
- Clean any impurities out of the tank.
- Never use any hard, pointed or sharp objects for cleaning purposes.
- Use soft cloths or sponges.
- Add warm tap water at a temperature of approx. 25 °C to the tank.
- Check the tank for leaks.
- If the aquarium is leaking, empty it and return the tank to your stockist for a replacement.

Installing the LED light

(Figures A and B)

- Pull out the plugs of all the electrical devices installed in the aquarium.
- Install the LED light in the position provided for it (Figure A).
- Do not overtighten the securing screws for the LED light in order to avoid damaging the aquarium wall.

Installing the filter in the Explorer Line 30 I

The AquaArt Explorer Line 30 I Crayfish and the AquaArt Explorer Line 30 I Goldfish are supplied with the EasyCrystal Filter 250.

- Pull out the plugs of all the electrical devices installed in the aquarium.
- Remove the aquarium lid.
- Select a position to install the filter on the inside of the tank which is not curved.
- Ensure that you keep the filter the required distances from the base and from equipment in the aquarium.

The required distances are listed in the attached instructions for the filter.

- Ensure that you satisfy the requirements relating to the water level set out in the instructions for the filter.
- Secure the filter vertically on the inside of the tank as shown in the instructions for the filter.

The cable guides and optional positions for electrical devices in the aquarium lid are closed with covers upon delivery. The covers can be removed by hand or with a pair of pliers.

ATTENTION!

The aquarium lid may be damaged if too much force is used to remove a cover.

- Score the edges of the cover with a sharp knife before you remove the cover.
 - Remove the cover carefully.
-

- If the filter is installed level with the aquarium lid, carefully remove the cover from the corresponding optional position in the aquarium lid (Figures B and C).
- If the filter is installed below the aquarium lid, carefully remove the cover from a cable guide for the mains cable (Figures B and C).
- If the cable guides or optional positions have sharp edges, smooth them with a small file.
- Route the power cable upwards and out of the aquarium.
- Follow the attached instructions for the filter to complete the remainder of the installation work.

Installing the filter box and heating element in the Explorer Line 60 I

The AquaArt Explorer Line 60 I is supplied with the EasyCrystal FilterBox 300. This contains the filter. In addition it houses the supplied heating element.

- Pull out the plugs of all the electrical devices installed in the aquarium.
- Remove the aquarium lid.
- Select a position to install the filter box on the inside of the tank which is not curved.
- Ensure that you keep the filter the required distances from the base and from equipment in the aquarium.

The required distances are set out in the attached instructions for the filter box.

- Ensure that you satisfy the minimum immersion depth (as specified on the outside of the filter box).
- Secure the filter box vertically on the inside of the tank as shown in the instructions for the filter box.
- Install the heating element in the filter box as described in the instructions for the filter box.

Upon delivery, the cable guides and optional positions for electrical devices in the aquarium lid are closed with covers. The covers can be removed by hand or with a pair of pliers.

ATTENTION!

The aquarium lid may be damaged if too much force is used to remove a cover.

- Score the edges of the cover with a sharp knife before you remove the cover.
- Remove the cover carefully.

-
- If the filter box is installed level with the aquarium lid, carefully remove the cover from the corresponding optional position in the aquarium lid (Figures B and C).
 - If the filter box is installed below the aquarium lid, carefully remove the covers from the cable guides for the mains cables of the filter and heating element (Figures B and C).

- If the cable guides or option positions have sharp edges, smooth them with a small file.
- Route the mains cables for the filter and heating element upwards out of the aquarium.
- Follow the attached instructions for the filter box, filter and heating element to complete the remainder of the installation work.

Installing additional electrical devices

You can install additional electrical devices (for example heating elements) in the aquarium if required.

- Pull out the plugs of all the electrical devices installed in the aquarium.
- Install electrical devices as described in the relevant instructions for use and other instructions supplied by the manufacturer.
- Carefully remove the covers from the required cable guides and optional positions in the aquarium lid (Figures B and C).
- Proceed as described in the previous section.

Connecting and starting

- Start the electrical devices installed in the aquarium as described in the attached instructions.

LED light

- Fit the plug into the socket.

There are two switch positions for selecting the colour of the lighting:

- Day lighting: The lighting unit emits daylight white light.
- Night lighting: The lighting unit emits blue light. This creates an attractive moonlight effect.
- Ideally the light should be on for 8 to 12 hours per day.

- Using a timer the day lighting could be turned on and off automatically.

Cleaning

- Pull out the plugs of all the electrical devices installed in the aquarium.
- Empty the tank.

ATTENTION!

Incorrect cleaning may damage the aquarium or poison the tank contents.

- Never use any hard, pointed or sharp objects for cleaning purposes.
- Use soft cloths or sponges.
- Use only clean water or special aquarium cleaning products for cleaning purposes. These are available from your stockist.
- Particularly the corners of the tank must be cleaned carefully to prevent damage to the glued joints of the glass walls.

- Clean the aquarium carefully.

Maintenance

- Pull out the plugs of all the electrical devices installed in the aquarium.

CAUTION

Shards of glass can cause cuts.

- Ensure that you do not break the tank.
- Do not touch the shards of glass if the tank breaks.
- Wear gloves.
- Remove all shards of glass carefully.

- Carry out maintenance work on the electrical devices in the aquarium as described in the attached instructions.

LED light

- Clean the LED light with a dry or slightly moist cloth if it gets dirty.
- The light source is not replaceable. When it reaches its end of life, the LED light must be replaced.

Technical support

Please contact your local stockist or the Tetra Technik Service Center in the event of faults.

Technical data

AquaArt Explorer Line	30 l Goldfish	30 l Crayfish	60 l
Volume	30 l	30 l	60 l
Net weight of tank	6.9 kg	6.9 kg	13 kg
Gross weight (with water)	37 kg	37 kg	73 kg
Dimensions	L: 28 cm B: 41 cm H: 51 cm	L: 28 cm B: 41 cm H: 51 cm	L: 36 cm B: 51 cm H: 61 cm
Tetra EasyCrystal	Filter 250	Filter 250	FilterBox 300
Heating element	–	–	Tetra HT50

LED light

Voltage	220 - 240 V ~ 50/60 Hz		
Power Day lighting	4 W	4 W	6 W
Power Night lighting	1.5 W	1.5 W	1.5 W
Protection class	II	II	II
Protection rating	IP X7	IP X7	IP X7

Disposal

There are national and regional laws on the environmentally-friendly disposal of electronic modules, recyclable materials and other components.

- Please contact your local authority for the relevant information on disposal.
- Please comply with the legal requirements when disposing of the components.



Warranty

Our modern manufacturing techniques, high-quality components and rigorous quality control checks enable us to provide a two-year warranty on the adhesive glass joints of the aquarium and for the function of the supplied electrical devices. The warranty period starts on the date of purchase. Keep your receipt in a safe place. No claims may be made on the warranty in cases of improper use and tampering, nor does the warranty cover normal wear and tear of expendable parts.

In the event of complaints, please contact your local stockist or Tetra GmbH, Tetra Technik Service Center, Postfach 1580, D-49304 Melle, Germany, www.tetra.net.

Deutsche Gebrauchsanleitung

WARNUNG

- Dieses Gerät kann von Kindern ab 8 Jahren und darüber sowie von Personen mit verringerten physischen, sensorischen oder mentalen Fähigkeiten oder Mangel an Erfahrung und Wissen benutzt werden, wenn sie beaufsichtigt oder bezüglich des sicheren Gebrauchs des Gerätes unterwiesen wurden und die daraus resultierenden Gefahren verstehen.
- Kinder dürfen nicht mit dem Gerät spielen.
- Reinigung und Benutzerwartung dürfen nicht von Kindern ohne Beaufsichtigung durchgeführt werden.
- Alle Geräte im Aquarium ausschalten oder den Netzstecker ziehen, bevor Sie in das Wasser greifen.
- Eine beschädigte Anschlussleitung kann nicht ersetzt werden. Gerät entsorgen.

Sicherheitshinweise

Gefahrensituationen für Personen vermeiden

- Schließen Sie die LED-Leuchte nur an eine fachgerecht installierte Steckdose an.
- Stellen Sie sicher, dass das Stromnetz durch einen allstromsensitiven Fehlerstrom-Schutzschalter (FI-Schutzschalter) gesichert ist.
- Schließen Sie die LED-Leuchte nur ans Netz an, wenn die örtliche Versorgungsspannung mit den Angaben in den Technischen Daten übereinstimmt.
- Schützen Sie den Netzstecker vor Feuchtigkeit.
- Berühren Sie Netzkabel und Netzstecker der Elektrogeräte nicht mit feuchten Händen.
- Stellen Sie sicher, dass keine Feuchtigkeit in die Steckdose gelangen kann.
- Ziehen Sie nur am Netzstecker und nicht am Netzkabel.
- Trennen Sie die LED-Leuchte immer vom Netz, bevor Sie sie reinigen oder Wartungsarbeiten durchführen.
- Lassen Sie Kinder nicht mit Kleinteilen spielen. Es besteht Erstickengefahr.
- Der Netzstecker muss frei zugänglich sein, damit Sie die LED-Leuchte im Notfall einfach und schnell vom Stromnetz trennen können.
- Nehmen Sie niemals technische Änderungen am Gerät vor.

Sachschäden vermeiden

- Knicken oder quetschen Sie nicht die Netzanschlussleitung.
- Nur Original-Ersatzteile und -Zubehör verwenden.
- Transportieren Sie das Aquarium niemals, wenn es gefüllt ist.
- Reinigen Sie das Aquarium nur mit weichen Tüchern oder Schwämmen.
- Verwenden Sie zum Reinigen klares Wasser oder Spezial-Reinigungsmittel für Aquarien.

Vorwort

Diese Gebrauchsanleitung ist Bestandteil des Produkts. Bewahren Sie die Gebrauchsanleitung in der Nähe des Produkts auf. Geben Sie die Gebrauchsanleitung mit, wenn Sie das Produkt weitergeben.

Inhaltsverzeichnis

Sicherheitshinweise	11
Vorwort	12
Inhaltsverzeichnis	12
Vorwort	Fehler! Textmarke nicht definiert.
Abbildungslegende	12
Gestaltungsmerkmale dieser Gebrauchsanleitung	12
Bestimmungsgemäße Verwendung	13
Auspacken und Aufstellen	13
LED-Leuchte montieren	14
Anschließen und in Betrieb nehmen	16
Reinigen	16
Warten	17
Hilfe bei Störungen	17
Technische Daten	17
Entsorgen	18
Garantie	18

Abbildungslegende

(zu Abbildungen A, B, D)

Nr.	Beschreibung
1	LED-Leuchte
2	Aquariendeckel
3	Becken
4	Netzkabel mit Netzsteckern
5	Rahmen
6	Filter (beim Explorer Line 30 l) Filterbox mit Heizstab (beim Explorer Line 60 l)
7	Futterklappe
8	Kabelführungen (im Lieferzustand mit Abdeckungen verschlossen)
9	Optionsplätze für Elektrogeräte (im Lieferzustand mit Abdeckungen verschlossen)
10	Leuchtenarm
11	Beleuchtungsschalter
12	Befestigungsschrauben

Gestaltungsmerkmale dieser Gebrauchsanleitung

Verschiedene Elemente der Gebrauchsanleitung sind mit festgelegten Gestaltungsmerkmalen versehen. So können Sie leicht feststellen, um welche Art von Text es sich handelt:

normalen Text,

Querverweise,

- Aufzählungen oder
- Handlungsschritte.

Warnhinweise und Hinweise

In dieser Gebrauchsanleitung finden Sie folgende Kategorien von Warnhinweisen und Hinweisen.

Warnhinweise

VORSICHT

Hinweise mit dem Wort **VORSICHT** warnen vor einer Situation, die zu leichten oder mittleren Verletzungen führt.

Hinweise

ACHTUNG!

Diese Hinweise warnen vor einer Situation, die zu Sach- oder Umweltschäden führt.

Bestimmungsgemäße Verwendung

Das Aquarium dient ausschließlich zur Haltung von Zierfischen und Wirbellosen wie Krebsen oder Garnelen. Hierbei darf die maximale Wassertemperatur von 35 °C nicht überschritten werden. Das Aquarium ist nur für den Gebrauch in geschlossenen Räumen bestimmt. Die LED-Leuchte darf nur an diesem Aquarium montiert und betrieben werden.

Zum bestimmungsgemäßen Gebrauch gehören auch das Beachten aller Informationen in dieser Gebrauchsanleitung und in allen beiliegenden Gebrauchsanleitungen und das Befolgen der Sicherheitshinweise.

Jede andere oder darüber hinausgehende Verwendung gilt als nicht bestimmungsgemäß und kann zu Sach- oder Personenschäden und zum Erlöschen der Garantie führen.

Der Gebrauch des Aquariums ist insbesondere in folgenden Fällen nicht bestimmungsgemäß:

- wenn Sie eigenmächtig Umbauten oder Reparaturarbeiten vornehmen.
- wenn Sie das Aquarium außerhalb geschlossener Räume betreiben.

Die Tetra GmbH übernimmt keine Haftung für Schäden, die durch bestimmungswidrigen Gebrauch entstehen.

Auspacken und Aufstellen

In der Nähe des Aufstellorts müssen sich fachgerecht installierte und geerdete Steckdosen (230 V ~ 50 Hz) für die im Aquarium vorhandenen Elektrogeräte befinden.

VORSICHT

Schnittwunden durch Glasscherben.

- Stellen Sie sicher, dass Sie das Becken nicht zerbrechen.
- Wenn das Becken zerbrechen sollte, berühren Sie die Kanten der Glasscherben nicht.
- Tragen Sie Schutzhandschuhe.
- Entfernen Sie alle Glasscherben sorgfältig.

ACHTUNG!

Beschädigung des Aquariendeckels und Glasbruch durch unsachgemäßes Auspacken.

- Heben Sie das Aquarium nur am Rahmen an.
- Heben und transportieren Sie das Aquarium gemeinsam mit einer zweiten Person.

- Öffnen Sie die Verpackung.
- Heben Sie das Aquarium vorsichtig aus der Verpackung.

ACHTUNG!

Beschädigung des Aquariums durch Wahl eines ungeeigneten Aufstellorts.

- Stellen Sie sicher, dass der Aufstellort eben, waagrecht und wasserfest ist.
- Stellen Sie sicher, dass der Aufstellort über die nötige Tragfähigkeit verfügt.

Die Tragfähigkeit des Aufstellorts muss ausreichen, um das dreifache Füllgewicht des Aquariums zu tragen. Informationen zum Füllgewicht erhalten Sie im Abschnitt *Technische Daten* ab Seite 17.

- Stellen Sie das Aquarium mit dem Rahmen nach unten am gewünschten Aufstellort auf.
- Entnehmen Sie alle Teile, die sich im Becken befinden.
- Reinigen Sie das Becken von eventuellen Verunreinigungen. Verwenden Sie zum Reinigen niemals harte, spitze oder scharfe Gegenstände. Verwenden Sie weiche Tücher oder Schwämme.
- Füllen Sie klares, ca. 25 °C warmes Leitungswasser in das Becken.
- Prüfen Sie, ob das Becken dicht ist.
- Wenn das Becken undicht ist, leeren Sie es und tauschen Sie das Becken bei Ihrem Händler um.

LED-Leuchte montieren

(Abbildungen D und E)

- Ziehen Sie die Netzstecker aller im Aquarium vorhandenen Elektrogeräte.
- Montieren Sie die LED-Leuchte an der vorgesehenen Stelle (Abbildung A).
- Ziehen Sie die Befestigungsschrauben der LED-Leuchte nicht zu stark an, um die Aquarienwand nicht zu beschädigen.

Filter beim Explorer Line 30 I einbauen

Dem AquaArt Explorer Line 30 I Crayfish und dem AquaArt Explorer Line 30 I Goldfish liegt der EasyCrystal Filter 250 bei.

- Ziehen Sie die Netzstecker aller im Aquarium vorhandenen Elektrogeräte.
- Nehmen Sie den Aquariendeckel ab.
- Wählen Sie für den Einbau des Filters eine Stelle an der Innenwand des Beckens, die nicht gewölbt ist.
- Stellen Sie sicher, dass die notwendigen Abstände zum Boden und zu Einrichtungsgegenständen des Aquariums eingehalten werden.

Die notwendigen Abstände ergeben sich aus der beiliegenden Gebrauchsanleitung zum Filter.

- Stellen Sie sicher, dass die Anforderungen zur Höhe des Wasserspiegels gemäß der Gebrauchsanleitung zum Filter eingehalten werden.
- Befestigen Sie den Filter mit den Saugnäpfen senkrecht an der Innenwand des Beckens, wie in der Gebrauchsanleitung zum Filter dargestellt.

Im Lieferzustand sind die Kabelführungen und Optionsplätze für Elektrogeräte im Aquariendeckel mit Abdeckungen verschlossen. Die Abdeckungen lassen sich per Hand oder mit einer Zange herausbrechen.

ACHTUNG!

Beschädigung des Aquariendeckels durch zu hohen Kraftaufwand beim Herausbrechen der Abdeckung.

- Ritzen Sie die Kanten der Abdeckung mit einem scharfen Messer vor, bevor Sie die Abdeckung herausbrechen
- Brechen Sie die Abdeckung behutsam heraus.

- Wenn der Filter auf Höhe des Aquariendeckels eingebaut ist, brechen Sie vorsichtig die Abdeckung des entsprechenden Optionsplatzes aus dem Aquariendeckel heraus (Abbildungen B und C).
- Wenn der Filter unterhalb des Aquariendeckels eingebaut ist, brechen Sie vorsichtig die Abdeckung einer Kabelführung für das Netzkabel heraus (Abbildungen B und C).
- Falls die Kabelführungen oder Optionsplätze scharfe Bruchkanten haben, glätten Sie die Bruchkanten mit einer kleinen Feile.
- Führen Sie das Netzkabel nach oben aus dem Aquarium heraus.
- Gehen Sie beim weiteren Einbau vor, wie in der beiliegenden Gebrauchsanleitung zum Filter beschrieben.

Filterbox und Heizstab beim Explorer Line 60 I einbauen

Der AquaArt Explorer Line 60 I wird mit der EasyCrystal FilterBox 300 geliefert. Diese enthält den Filter. Zusätzlich nimmt sie den mitgelieferten Heizstab auf.

- Ziehen Sie die Netzstecker aller im Aquarium vorhandenen Elektrogeräte.
- Nehmen Sie den Aquariendeckel ab.
- Wählen Sie für den Einbau der Filterbox eine Stelle an der Innenwand des Beckens, die nicht gewölbt ist.
- Stellen Sie sicher, dass die notwendigen Abstände zum Boden und zu Einrichtungsgegenständen des Aquariums eingehalten sind.

Die notwendigen Abstände ergeben sich aus der beiliegenden Gebrauchsanleitung zur Filterbox.

- Stellen Sie sicher, dass die Mindest-Tauchtiefe (wie auf der Außenwand der Filterbox angegeben) eingehalten wird.

- Befestigen Sie die Filterbox mit den Saugnäpfen senkrecht an der Innenwand des Beckens, wie in der Gebrauchsanleitung zur Filterbox dargestellt.
- Setzen Sie den Heizstab in die Filterbox ein, wie in der Gebrauchsanleitung zur Filterbox dargestellt.

Im Lieferzustand sind die Kabelführungen und Optionsplätze für Elektrogeräte im Aquariendeckel mit Abdeckungen verschlossen. Die Abdeckungen lassen sich per Hand oder mit einer Zange herausbrechen.

ACHTUNG!

Beschädigung des Aquariendeckels durch zu hohen Kraftaufwand beim Herausbrechen der Abdeckung.

- Ritzen Sie die Kanten der Abdeckung mit einem scharfen Messer vor, bevor Sie die Abdeckung herausbrechen
 - Brechen Sie die Abdeckung behutsam heraus.
-

- Wenn die Filterbox auf Höhe des Aquariendeckels eingebaut ist, brechen Sie vorsichtig die Abdeckung des entsprechenden Optionsplatzes aus dem Aquariendeckel heraus (Abbildungen B und C).
- Wenn die Filterbox unterhalb des Aquariendeckels eingebaut ist, brechen Sie vorsichtig die Abdeckungen von Kabelführungen für die Netzkabel von Filter und Heizstab heraus (Abbildungen B und C).
- Falls die Kabelführungen oder Optionsplätze scharfe Bruchkanten haben, glätten Sie die Bruchkanten mit einer kleinen Feile.
- Führen Sie die Netzkabel von Filter und Heizstab nach oben aus dem Aquarium heraus.
- Gehen Sie beim weiteren Einbau vor, wie in den beiliegenden Gebrauchsanleitungen zur

Filterbox, zum Filter und zum Heizstab beschrieben.

Zusätzliche Elektrogeräte einbauen

Auf Wunsch können Sie zusätzliche Elektrogeräte (z. B. Heizstäbe) ins Aquarium einbauen.

- Ziehen Sie die Netzstecker aller im Aquarium vorhandenen Elektrogeräte.
- Bauen Sie die Elektrogeräte nach der zugehörigen Gebrauchsanleitung und den sonstigen Anweisungen des Herstellers ein.
- Brechen Sie vorsichtig die Abdeckungen der benötigten Kabelführungen und Optionsplätze aus dem Aquariendeckel heraus (Abbildungen B und C).
- Gehen Sie dazu vor, wie im vorigen Abschnitt beschrieben.

Anschließen und in Betrieb nehmen

- Nehmen Sie die im Aquarium vorhandenen Elektrogeräte gemäß den beiliegenden Gebrauchsanleitungen in Betrieb.

LED-Leuchte

- Stecken Sie den Netzstecker in die Steckdose.

Über zwei Schalterstellungen wird die Lichtfarbe gewählt:

- Taglicht: Das Aquarium wird mit tageslichtweißem Licht beleuchtet.
- Nachtlicht: Das Aquarium wird mit blauem Licht beleuchtet. Dadurch wird eine abendliche Stimmung erzeugt.
- Idealerweise ist das Licht 8 bis 12 Stunden pro Tag eingeschaltet.
- Mit einer Zeitschaltuhr lässt sich das Taglicht automatisch ein- und ausschalten.

Reinigen

- Ziehen Sie die Netzstecker aller im Aquarium vorhandenen Elektrogeräte.
- Leeren Sie das Becken.

ACHTUNG!

Beschädigung des Aquariums oder Vergiftung des Beckeninhalts durch unsachgemäßes Reinigen.

- Verwenden Sie zum Reinigen niemals harte, spitze oder scharfe Gegenstände.
- Verwenden Sie weiche Tücher oder Schwämme.
- Verwenden Sie zum Reinigen nur klares Wasser oder Spezial-Reinigungsmittel für Aquarien, die bei Ihrem Händler erhältlich sind.
- Reinigen Sie insbesondere an den Ecken des Beckens behutsam, damit die Verklebungen der Glaswände nicht beschädigt werden.

-
- Reinigen Sie das Aquarium sorgfältig.

Warten

- Ziehen Sie die Netzstecker aller im Aquarium vorhandenen Elektrogeräte.

VORSICHT

Schnittwunden durch Glasscherben.

- Stellen Sie sicher, dass Sie das Becken nicht zerbrechen.
- Wenn das Becken zerbrechen sollte, berühren Sie die Kanten der Glasscherben nicht.
- Tragen Sie Schutzhandschuhe.
- Entfernen Sie alle Glasscherben sorgfältig.

- Führen Sie die Wartung der im Aquarium vorhandenen Elektrogeräte gemäß den beiliegenden Gebrauchsanleitungen durch.

LED-Leuchte

- Reinigen Sie die LED-Leuchte bei Verschmutzung mit einem trockenen oder leicht angefeuchteten Tuch.
- Das Leuchtmittel ist nicht austauschbar. Hat das Leuchtmittel das Ende der Lebensdauer erreicht, muss die LED-Leuchte ersetzt werden.

Hilfe bei Störungen

Bei Störungen wenden Sie sich an Ihren Händler oder an das Tetra Technik Service Center.

Technische Daten

AquaArt Explorer Line	30 l Goldfish	30 l Crayfish	60 l
Volumen	30 l	30 l	60 l
Leergewicht Becken	6,9 kg	6,9 kg	13 kg
Füllgewicht (mit Filter)	37 kg	37 kg	73 kg
Maße	L: 28 cm B: 41 cm H: 51 cm	L: 28 cm B: 41 cm H: 51 cm	L: 36 cm B: 51 cm H: 61 cm
Tetra EasyCrystal	Filter 250	Filter 250	FilterBox 300
Heizstab	–	–	Tetra HT50

LED-Leuchte

Spannung	220 - 240 V ~ 50/60 Hz		
Leistung Taglicht	4 W	4 W	6 W
Leistung Nachtlicht	1,5 W	1,5 W	1,5 W
Schutzklasse	II	II	II
Schutzart	IP X7	IP X7	IP X7

Entsorgen

Die umweltgerechte Entsorgung von Elektronik-Baugruppen, wiederverwertbaren Werkstoffen und weiteren Gerätebestandteilen wird durch nationale und regionale Gesetze geregelt.

- Wenden Sie sich an die zuständige lokale Behörde, um genaue Informationen zur Entsorgung zu erhalten.
- Entsorgen Sie alle Bestandteile nach den gesetzlichen Bestimmungen.



Garantie

Dank moderner Fertigungstechniken, hochwertiger Bauteile und strengster Qualitätskontrolle leisten wir zwei Jahre Garantie für die Glasverklebung des Aquariums und für die Funktion der mitgelieferten Elektrogeräte. Die Garantiefrist beginnt mit dem Kaufdatum. Bewahren Sie den Kaufbeleg auf. Keine Gewähr besteht in Fällen unsachgemäßer Behandlung, bei Verschleißteilen im Rahmen des normalen Verschleißes sowie beim Eingriff in die Gerätetechnik.

Bei Reklamationen wenden Sie sich bitte an Ihren Händler oder an die Tetra GmbH, Tetra Technik Service Center, Postfach 1580, D-49304 Melle, Germany, www.tetra.net.

Traduction française de la notice d'utilisation allemande d'origine

AVERTISSEMENT

- Cet appareil ne doit pas être utilisé par un enfant de moins de 8 ans, un individu dont les capacités physiques, sensorielles ou mentales sont réduites ou quelqu'un sans expérience ni connaissances à moins qu'il ne le fasse sous surveillance ou qu'il n'ait reçu des instructions préalables quant à l'utilisation sûre de l'appareil et qu'il n'ait compris les risques associés.
- Les enfants ne doivent pas jouer avec l'appareil.
- Les enfants ne doivent pas réaliser d'opérations de nettoyage ou d'entretien sans surveillance.
- Mettez tous les appareils de votre aquarium hors tension et débranchez-les avant de toucher l'eau.
- Les câbles de raccordement ne peuvent pas être remplacés. S'ils sont endommagés, l'appareil devient inutilisable et doit alors être éliminé.

Consignes de sécurité

Prévention des situations dangereuses

- Branchez l'éclairage LED uniquement sur une prise électrique dont l'installation répond aux normes en vigueur.
- Assurez-vous que l'alimentation secteur est protégée par un disjoncteur à courant résiduel tous courants.
- Ne raccordez l'éclairage LED au secteur que si la tension locale correspond aux spécifications figurant dans les caractéristiques techniques.
- Protégez la fiche d'alimentation de l'humidité.
- Ne touchez jamais les fiches ou câbles d'alimentation des appareils électriques avec les mains humides ou mouillées.
- Assurez-vous que la prise électrique est étanche à l'eau et à l'humidité.
- Pour débrancher la fiche de la prise électrique, tirez sur la fiche uniquement et non sur le câble d'alimentation.
- Débranchez systématiquement l'éclairage LED du secteur avant de procéder au nettoyage ou de réaliser toute autre tâche d'entretien.
- Ne laissez pas les enfants jouer avec les petites pièces car celles-ci présentent un risque d'étouffement.
- La fiche d'alimentation doit être aisément accessible pour que vous puissiez débrancher facilement et rapidement l'éclairage LED du secteur en cas d'urgence.
- N'apportez jamais de modifications techniques à l'appareil.

Prévention des dégâts matériels

- Ne pliez pas et n'écrasez pas le câble d'alimentation.
- Utilisez exclusivement des pièces de rechange et accessoires d'origine.
- Ne transportez jamais l'aquarium lorsqu'il est rempli.
- Nettoyez l'aquarium à l'aide d'une éponge ou d'un chiffon doux exclusivement.
- Pour le nettoyage, utilisez de l'eau claire ou des produits spécifiquement conçus pour l'entretien des aquariums.

Préambule

La présente notice d'utilisation fait partie intégrante du produit. Gardez-la à proximité du produit. Si vous cédez le produit à une autre personne, veuillez à l'accompagner de la notice d'utilisation.

Sommaire

Consignes de sécurité.....	19
Préambule	20
Sommaire.....	20
Légende	20
Conventions utilisées dans cette notice d'utilisation.....	20
Avertissements et informations.....	21
Utilisation prévue	21
Installation de l'éclairage LED.....	22
Installation du filtre sur le modèle Explorer Line 30 l	22
Branchement et mise en service	24
Éclairage LED.....	24
Nettoyage	24
Entretien.....	25
Support technique	25
Caractéristiques techniques.....	25
Élimination	26
Garantie	26

Légende

(Figures A, B, D)

N°	Description
1	Éclairage LED
2	Couvercle de l'aquarium
3	Cuve
4	Câbles d'alimentation avec fiches
5	Socle
6	Filtre (pour le modèle Explorer Line 30 l) Filtre avec chauffage (pour le modèle Explorer Line 60 l)
7	Trappe d'alimentation
8	Passages de câbles (dotés de caches à la livraison)
9	Emplacements optionnels pour appareils électriques (dotés de caches à la livraison)
10	Support d'éclairage
11	Interrupteur d'éclairage
12	Vis de fixation

Conventions utilisées dans cette notice d'utilisation

Les conventions utilisées dans la présente notice d'utilisation vous permettent d'identifier rapidement le type d'information :

Texte normal

Renvoi

- Élément d'une énumération

➤ Action

Avertissements et informations

Cette notice d'utilisation comporte différentes catégories d'avertissements et remarques :

Avertissements

PRUDENCE

Cette mention indique une situation dangereuse pouvant entraîner des blessures légères.

Informations

ATTENTION !

Cette mention indique une situation pouvant entraîner des dégâts matériels ou une pollution de l'environnement.

Utilisation prévue

L'aquarium est conçu exclusivement pour accueillir des poissons d'ornement et des invertébrés tels que des crabes ou des crevettes. La température de l'eau ne doit jamais excéder 35 °C. L'aquarium est destiné à une utilisation en intérieur uniquement. L'éclairage LED peut être installé et utilisé uniquement sur cet aquarium.

L'utilisation conforme de l'aquarium implique notamment le respect de l'ensemble des informations de la présente notice d'utilisation, des instructions fournies et des consignes de sécurité

L'utilisation du produit à des fins autres que celles auxquelles il est destiné peut occasionner des dégâts matériels et des blessures corporelles et entraînera l'annulation de la garantie.

L'utilisation de l'aquarium est proscrite en particulier dans les cas suivants :

- Vous avez effectué des modifications ou réparations non autorisées.
- Vous utilisez l'aquarium à l'extérieur.

Tetra GmbH décline toute responsabilité concernant les pertes ou dommages dus à une utilisation non conforme.

Déballage et installation

Des prises correctement installées et reliées à la terre (230 V ~ 50 Hz) doivent être disponibles à proximité de l'emplacement d'installation de l'aquarium en vue du raccordement des appareils électriques.

- Débranchez les fiches de tous les appareils électriques installés dans l'aquarium.

PRUDENCE

Veillez à ne pas vous couper avec des débris de verre.

- Veillez à ne pas casser la cuve.
- Si la cuve se casse, ne touchez pas les débris de verre.
- Portez des gants.
- Retirez soigneusement tous les débris de verre.

ATTENTION !

Veillez à déballer l'aquarium correctement pour ne pas endommager le couvercle ou la vitre.

- Soulevez l'aquarium en le maintenant par son socle uniquement.
- Veillez à toujours soulever et transporter l'aquarium avec l'aide d'une autre personne.

- Ouvrez l'emballage.
- Soulevez délicatement l'aquarium pour le retirer de son emballage.

ATTENTION !

Veillez à choisir un emplacement d'installation approprié pour ne pas endommager l'aquarium.

- Assurez-vous que la surface d'installation est plane, horizontale et étanche.
 - Assurez-vous qu'elle peut supporter le poids de l'aquarium.
-

La capacité de charge de la surface d'installation doit être trois fois supérieure au poids de l'aquarium rempli. Pour plus d'informations sur le poids brut de l'aquarium, reportez-vous à la section *Caractéristiques techniques*, page 9.

- Placez l'aquarium à l'emplacement approprié, socle vers le bas.
- Retirez tous les éléments présents dans la cuve.
- Nettoyez la cuve pour en éliminer toutes les impuretés.
- N'utilisez jamais d'objets durs, pointus ou coupants pour procéder au nettoyage.
- Utilisez une éponge ou un chiffon doux.
- Remplissez la cuve avec de l'eau du robinet à une température d'environ 25 °C.
- Assurez-vous que la cuve ne fuit pas.
- Si vous constatez des fuites, videz l'aquarium et demandez un échange auprès de votre distributeur.

Installation de l'éclairage LED

(Figures A et B)

- Débranchez les fiches de tous les appareils électriques installés dans l'aquarium.
- Installez l'éclairage LED à l'emplacement prévu à cet effet (Figure A).
- Ne serrez pas les vis de fixation de l'éclairage LED de façon excessive afin de ne pas endommager la paroi de l'aquarium.

Installation du filtre sur le modèle Explorer Line 30 I

Le modèle AquaArt Explorer Line 30 I pour écrevisses et le modèle AquaArt Explorer Line 30 I pour poissons rouges sont fournis avec le filtre EasyCrystal 250.

- Débranchez les fiches de tous les appareils électriques installés dans l'aquarium.
- Retirez le couvercle de l'aquarium.
- Installez le filtre dans la cuve, à un emplacement non incurvé.
- Veillez à respecter les distances requises entre le filtre et la base de l'aquarium et les autres équipements.

Ces distances sont répertoriées dans les instructions fournies avec le filtre.

- Veillez à respecter les exigences de niveau d'eau mentionnées dans les instructions fournies avec le filtre.
- Fixez le filtre verticalement à l'intérieur de la cuve comme indiqué dans les instructions fournies avec le filtre.

À la livraison, les passages de câbles et emplacements optionnels pour appareils électriques sur le couvercle de l'aquarium sont dotés de caches. Ils peuvent être retirés manuellement ou à l'aide de pinces.

ATTENTION !

Si vous exercez une force excessive pour retirer les caches, vous risquez d'endommager le couvercle de l'aquarium.

- Pour retirer un cache, incisez préalablement ses bords à l'aide d'un couteau pointu.
- Retirez soigneusement le cache.

- Si le filtre est installé à la hauteur du couvercle de l'aquarium, retirez soigneusement le cache de l'emplacement optionnel correspondant sur le couvercle (Figures B et C).
- Si le filtre est installé sous le couvercle de l'aquarium, retirez soigneusement le cache de l'un des passages de câbles pour faire passer le câble d'alimentation (Figures B et C).
- Si les passages de câbles ou emplacements optionnels présentent des arêtes vives, lissez-les à l'aide d'une petite lime.
- Faites sortir le câble d'alimentation par le haut de l'aquarium.
- Reportez-vous aux instructions fournies avec le filtre pour la suite de l'installation.

Installation du filtre et du chauffage sur le modèle Explorer Line 60 I

Le modèle AquaArt Explorer Line 60 I est fourni avec le filtre EasyCrystal FilterBox 300. Outre le filtre lui-même, le boîtier est doté d'un compartiment pouvant accueillir le chauffage (fourni).

- Débranchez les fiches de tous les appareils électriques installés dans l'aquarium.

- Retirez le couvercle de l'aquarium.
- Installez le filtre dans la cuve, à un emplacement non incurvé.
- Veillez à respecter les distances requises entre le filtre et la base de l'aquarium et les autres équipements.

Ces distances sont répertoriées dans les instructions fournies avec le filtre.

- Veillez à respecter la profondeur d'immersion minimale (indiquée à l'extérieur du filtre).
- Fixez le filtre verticalement à l'intérieur de la cuve comme indiqué dans les instructions fournies avec le filtre.
- Installez le chauffage dans son compartiment comme indiqué dans les instructions fournies.

À la livraison, les passages de câbles et emplacements optionnels pour appareils électriques sur le couvercle de l'aquarium sont dotés de caches. Ils peuvent être retirés manuellement ou à l'aide de pinces.

ATTENTION !

Si vous exercez une force excessive pour retirer les caches, vous risquez d'endommager le couvercle de l'aquarium.

- Pour retirer un cache, incisez préalablement ses bords à l'aide d'un couteau pointu.
- Retirez soigneusement le cache.

- Si le filtre est installé à la hauteur du couvercle de l'aquarium, retirez soigneusement le cache de l'emplacement optionnel correspondant sur le couvercle (Figures B et C).
- Si le filtre est installé sous le couvercle de l'aquarium, retirez soigneusement les caches des passages de câbles pour faire passer les câbles d'alimentation du filtre et du chauffage (Figures B et C).

- Si les passages de câbles ou emplacements optionnels présentent des arêtes vives, lissez-les à l'aide d'une petite lime.
- Faites sortir les câbles d'alimentation du filtre et du chauffage par le haut de l'aquarium.
- Reportez-vous aux instructions fournies avec le filtre et le chauffage pour la suite de l'installation.

Installation d'appareils électriques supplémentaires

Vous pouvez installer des appareils électriques supplémentaires (par exemple, des systèmes de chauffage) dans l'aquarium si nécessaire.

- Débranchez les fiches de tous les appareils électriques installés dans l'aquarium.
- Installez les appareils électriques comme décrit dans les instructions d'utilisation correspondantes et les autres instructions fournies par le fabricant.
- Retirez soigneusement les caches des passages de câbles et emplacements optionnels correspondants sur le couvercle de l'aquarium (Figures B et C).
- Procédez comme indiqué dans la section précédente.

Branchement et mise en service

- Mettez en service tous les appareils électriques installés dans l'aquarium comme décrit dans les instructions fournies.

Éclairage LED

- Branchez la fiche sur la prise.
- L'interrupteur comporte deux positions permettant de choisir la couleur de l'éclairage.
- Éclairage diurne : éclairage blanc reproduisant une lumière du jour naturelle.
 - Éclairage nocturne : lumière bleue reproduisant l'éclairage apaisant du clair de lune.
 - Idéalement, l'éclairage doit être activé 8 à 12 heures par jour.
 - Un minuteur permet d'activer et de désactiver automatiquement l'éclairage diurne.

Nettoyage

- Débranchez les fiches de tous les appareils électriques installés dans l'aquarium.
- Videz la cuve.

ATTENTION !

Un nettoyage incorrect peut entraîner la détérioration de l'aquarium et l'empoisonnement des organismes vivants.

- N'utilisez jamais d'objets durs, pointus ou coupants pour procéder au nettoyage.
- Utilisez une éponge ou un chiffon doux.
- Pour le nettoyage, utilisez de l'eau claire ou des produits spécifiquement conçus pour l'entretien des aquariums. Vous pouvez vous les procurer auprès de votre distributeur.
- Nettoyez les angles de l'aquarium avec un soin particulier afin de préserver les joints de colle entre les vitres.

-
- Nettoyez soigneusement l'aquarium.

Entretien

- Débranchez les fiches de tous les appareils électriques installés dans l'aquarium.

PRUDENCE

Veillez à ne pas vous couper avec des débris de verre.

- Veillez à ne pas casser la cuve.
- Si la cuve se casse, ne touchez pas les débris de verre.
- Portez des gants.
- Retirez soigneusement tous les débris de verre.

- Procédez à l'entretien des appareils électriques de l'aquarium conformément aux instructions fournies.

Éclairage LED

- Si nécessaire, nettoyez l'éclairage LED à l'aide d'un chiffon sec ou légèrement humidifié.
- La source lumineuse n'est pas remplaçable. Lorsqu'elle a atteint sa fin de vie, l'ensemble de l'éclairage LED doit être remplacé.

Support technique

En cas de dysfonctionnement, veuillez contacter votre distributeur ou le centre d'assistance technique Tetra.

Caractéristiques techniques

AquaArt Explorer Line	30 l pour poissons rouges	30 l pour écrevisses	60 l
Volume	30 l	30 l	60 l
Poids net de la cuve	6,9 kg	6,9 kg	13 kg
Poids brut (cuve remplie)	37 kg	37 kg	73 kg
Dimensions	L : 28 cm P : 41 cm H : 51 cm	L : 28 cm P : 41 cm H : 51 cm	L : 36 cm P : 51 cm H : 61 cm
Tetra EasyCrystal	Filter 250	Filter 250	FilterBox 300
Chauffage	–	–	Tetra HT50

Éclairage LED

Tension	220 - 240 V ~ 50/60 Hz		
Puissance (éclairage diurne)	4 W	4 W	6 W
Puissance (éclairage nocturne)	1,5 W	1,5 W	1,5 W
Classe de protection	II	II	II
Indice de protection	IP X7	IP X7	IP X7

Élimination

Les modules électroniques, matériaux recyclables et autres éléments doivent être éliminés selon des méthodes respectueuses de l'environnement, régies par des directives nationales et locales.

- Prenez contact avec l'autorité locale compétente pour obtenir des informations précises sur l'élimination de cet équipement.
- Veuillez respecter les réglementations en vigueur pour l'élimination de l'ensemble des éléments.



Garantie

Grâce à des techniques de fabrication modernes, à des composants de haute qualité et à un contrôle qualité rigoureux, nous sommes en mesure de proposer une garantie de deux ans, à compter de la date d'achat, sur les joints de verre de l'aquarium et le fonctionnement des appareils électriques fournis. Conservez votre preuve d'achat en lieu sûr. Aucun recours en garantie ne peut être accepté en cas d'utilisation inappropriée ou d'altération intentionnelle de l'équipement. Par ailleurs, la garantie ne couvre pas l'usure normale des pièces d'usure.

En cas de réclamation, prenez contact avec votre distributeur local ou avec Tetra aux coordonnées suivantes : Tetra GmbH, Tetra Technik Service Center, Postfach 1580, D-49304 Melle, Allemagne, www.tetra.net.

Nederlandse vertaling van de oorspronkelijke Duitse gebruiksaanwijzing

WAARSCHUWING

- Dit apparaat kan worden gebruikt door kinderen van 8 jaar en ouder en mensen met beperkte lichamelijke, zintuiglijke of verstandelijke vermogens of gebrek aan ervaring en kennis, indien ze onder toezicht staan van een volwassene of hebben geleerd het apparaat veilig te gebruiken en begrijpen welke gevaren aan het gebruik zijn verbonden.
- Kinderen mogen niet met het apparaat spelen.
- Kinderen mogen het apparaat niet zonder toezicht reinigen of onderhouden.
- Schakel alle apparaten in uw aquarium uit en haal de stekkers uit het stopcontact voordat u in het water grijpt.
- Beschadigde aansluitkabels kunnen niet worden vervangen. Voer het apparaat af als afval.

Veiligheidsinstructies

Gevaarlijke situaties voorkomen

- Sluit de LED-verlichting alleen aan op een correct geïnstalleerd stopcontact.
- Zorg ervoor dat het stroomnet beveiligd is met een gelijk- en wisselstroomgevoelige aardlekschakelaar.
- Sluit de LED-verlichting alleen aan op het lichtnet als uw netspanning overeenkomt met de specificaties in de technische gegevens.
- Bescherm de stekker tegen vocht.
- Raak de stroomkabels en stekkers van elektrische apparaten nooit met natte handen aan.
- Zorg ervoor dat er geen water en vocht in het stopcontact terecht kunnen komen.
- Trek alleen aan de stekker om deze uit het stopcontact te halen, en niet aan het snoer.
- Koppel de LED-verlichting altijd los van het lichtnet voor het reinigen of uitvoeren van onderhoudstaken.
- Laat kinderen niet met kleine onderdelen spelen, omdat er kans is op verstikking.
- De stekker moet vrij toegankelijk zijn, zodat de LED-verlichting in geval van nood gemakkelijk en snel van het lichtnet losgekoppeld kan worden.
- Breng nooit technische wijzigingen aan het apparaat aan.

Materiële schade voorkomen

- Knik of plet het netsnoer niet.
- Gebruik alleen originele reserveonderdelen en accessoires.
- Vervoer het aquarium nooit als het gevuld is.
- Reinig het aquarium alleen met zachte doeken of sponzen.
- Gebruik voor het reinigen schoon water of een speciaal reinigingsmiddel voor aquaria.

Voorwoord

Deze gebruiksaanwijzing maakt deel uit van het product. Bewaar deze gebruiksaanwijzing in de buurt van het product. Geef ook de gebruiksaanwijzing mee als u het product doorgeeft.

Inhoudsopgave

Veiligheidsinstructies.....	27
Voorwoord.....	28
Inhoudsopgave.....	28
Legenda.....	28
Tekstopmaak in deze gebruiksaanwijzing.....	28
Waarschuwingen en aanwijzingen.....	29
Beoogd gebruik.....	29
LED-verlichting monteren.....	30
Filter plaatsen bij de Explorer Line 30 l.....	30
Aansluiten en inschakelen.....	32
LED-verlichting.....	32
Reinigen.....	32
Onderhoud.....	32
Technische ondersteuning.....	33
Technische gegevens.....	33
Afvalverwijdering.....	33
Garantie.....	33

Legenda

(bij figuren A, B en D)

Nr.	Beschrijving
1	LED-verlichting
2	AquariumdekseL
3	Bak
4	Netsnoeren met stekkers
5	Frame
6	Filter (bij de Explorer Line 30 l) Filterbox met verwarmingselement (bij de Explorer Line 60 l)
7	Voederklep
8	Kabeldoorvoeren (bij levering afgesloten met afdekkingen)
9	Mogelijke plaatsen voor elektrische apparaten (bij levering afgesloten met afdekkingen)
10	Lamparm
11	Lichtschakelaar
12	Bevestigingsschroeven

Tekstopmaak in deze gebruiksaanwijzing

Verschiedende elementen in de gebruiksaanwijzing hebben een vaste tekstopmaak. Zo kunt u snel zien om wat voor soort tekst het gaat:

Normale tekst

Kruisverwijzingen

- Opsommingen of

➤ Uit te voeren stappen

Waarschuwingen en aanwijzingen

Deze gebruiksaanwijzing bevat de volgende categorieën waarschuwingen en aanwijzingen:

Waarschuwingen



VOORZICHTIG

Opmerkingen met het woord VOORZICHTIG waarschuwen voor een situatie die leidt tot lichte of matige verwondingen.

Aanwijzingen

OPGELET!

Deze opmerkingen waarschuwen voor een situatie die leidt tot materiële schade of milieuvervuiling.

Beoogd gebruik

Het aquarium is uitsluitend bedoeld voor het houden van siervissen en ongewervelde dieren zoals krabben of garnalen. Hierbij mag de maximale watertemperatuur van 35 °C niet worden overschreden. Het aquarium is uitsluitend bedoeld voor gebruik binnenshuis. De LED-verlichting mag alleen op dit aquarium worden gemonteerd en gebruikt.

Correct gebruik omvat ook het in acht nemen van alle informatie in deze gebruiksaanwijzing en in alle bijgeleverde gebruiksaanwijzingen en het opvolgen van de veiligheidsinstructies.

Het gebruik van het product voor andere doeleinden wordt beschouwd als oneigenlijk gebruik. Dit kan leiden tot schade aan eigendommen of persoonlijk letsel en maakt de garantie ongeldig.

Met name in de volgende gevallen is er sprake van oneigenlijk gebruik van het aquarium:

- Als u eigenhandig wijzigingen aanbrengt of reparaties uitvoert.
- Als u het aquarium buitenshuis gebruikt.

Tetra GmbH is niet aansprakelijk voor verlies of schade als gevolg van oneigenlijk gebruik.

Uitpakken en plaatsen

In de buurt van de standplaats van het aquarium moeten goed geïnstalleerde en gearde stopcontacten (230 V ~ 50 Hz) aanwezig zijn voor de elektrische apparaten in het aquarium.

- Trek de stekkers van alle apparaten in het aquarium uit het stopcontact.



VOORZICHTIG

Glasscherven kunnen snijwonden veroorzaken.

- Zorg ervoor dat u de bak niet breekt.
- Raak de glasscherven niet aan als de bak breekt.
- Draag beschermende handschoenen.
- Verwijder zorgvuldig alle glasscherven.

OPGELET!

Door onzorgvuldig uitpakken kan het aquariumdeksel beschadigd raken en het glas breken.

- Til het aquarium alleen op aan het frame.
- Til en verplaats het aquarium altijd samen met iemand anders.

- Open de verpakking.
- Til het aquarium voorzichtig uit de verpakking.

OPGELET!

Het aquarium kan beschadigd raken als u een ongeschikte standplaats kiest.

- Zorg ervoor dat de standplaats vlak, horizontaal en waterbestendig is.
- Zorg ervoor dat de standplaats het gewicht van het aquarium kan dragen.

De standplaats moet sterk genoeg zijn om driemaal het gewicht van het gevulde aquarium te dragen. Informatie over het gewicht van het gevulde aquarium is te vinden in het gedeelte *Technische gegevens* vanaf pagina 9.

- Zet het aquarium met het frame naar beneden op de gewenste plek.
- Haal alle onderdelen uit de bak.
- Verwijder eventuele verontreinigingen van de bak.
- Gebruik voor het reinigen nooit harde, puntige of scherpe voorwerpen.
- Gebruik zachte doeken of sponzen.
- Vul de bak met lauw leidingwater van ongeveer 25 °C.
- Controleer de bak op lekken.
- Als het aquarium lekt, maak het dan leeg en ruil het om bij uw verkoper.

LED-verlichting monteren

(Figuren D en E)

- Trek de stekkers van alle apparaten in het aquarium uit het stopcontact.
- Monteer de LED-verlichting op de daarvoor bestemde plaats (figuur D).
- Draai de bevestigingsschroeven van de LED-verlichting niet te vast om beschadiging van de aquariumwand te voorkomen.

Filter plaatsen bij de Explorer Line 30 I

De AquaArt Explorer Line 30 I Crayfish en de AquaArt Explorer Line 30 I Goldfish worden geleverd met het EasyCrystal Filter 250.

- Trek de stekkers van alle apparaten in het aquarium uit het stopcontact.
- Verwijder het aquariumdeksel.
- Kies een recht stuk om het filter aan de binnenzijde van het aquarium te plaatsen.
- Houd de vereiste afstanden tot de bodem en tot voorwerpen in het aquarium aan.

De vereiste afstanden staan vermeld in de bijgeleverde gebruiksaanwijzing van het filter.

- Houd de vereiste hoogte van het waterpeil aan, zoals vermeld in de gebruiksaanwijzing van het filter.
- Bevestig het filter met de zuignappen verticaal aan de binnenzijde van het aquarium, zoals aangegeven in de gebruiksaanwijzing van het filter.

Bij levering zijn de kabeldoorvoeren en mogelijke plaatsen voor elektrische apparaten in het aquariumdeksel afgesloten met afdekkingen. De afdekkingen zijn met de hand of met een tang te verwijderen.

OPGELET!

Het deksel van het aquarium kan beschadigd raken als een afdekking met te veel kracht wordt verwijderd.

- Snijd de randen van de afdekking voor met een scherp mes, voordat u de afdekking verwijdert.
 - Verwijder de afdekking voorzichtig.
-

- Bij plaatsing van het filter ter hoogte van het aquariumdeksel verwijdert u voorzichtig de afdekking van de gewenste plaats in het aquariumdeksel (figuren B en C).
- Bij plaatsing van het filter onder het aquariumdeksel verwijdert u voorzichtig de afdekking van een kabeldoorvoer voor het netsnoer (figuren B en C).
- Als de kabeldoorvoeren of mogelijke plaatsen scherpe randen hebben, maakt u ze glad met een kleine vijl.
- Leid het netsnoer naar boven uit het aquarium.
- Volg de bijgeleverde gebruiksaanwijzing van het filter om de rest van de installatie te voltooien.

Filterbox en verwarmingselement plaatsen bij de Explorer Line 60 I

De AquaArt Explorer Line 60 I wordt geleverd met de EasyCrystal FilterBox 300. Deze bevat het filter. Ook is het bijgeleverde verwarmingselement erin ondergebracht.

- Trek de stekkers van alle apparaten in het aquarium uit het stopcontact.
- Verwijder het aquariumdeksel.
- Kies een recht stuk om de filterbox aan de binnenzijde van het aquarium te plaatsen.
- Houd de vereiste afstanden tot de bodem en tot voorwerpen in het aquarium aan.

De vereiste afstanden staan vermeld in de bijgeleverde gebruiksaanwijzing van de filterbox.

- Houd de minimale dompediepte (zoals aangegeven op de buitenkant van de filterbox) aan.
- Bevestig de filterbox verticaal aan de binnenzijde van het aquarium, zoals aangegeven in de gebruiksaanwijzing van de filterbox.

- Plaats het verwarmingselement in de filterbox zoals beschreven in de gebruiksaanwijzing van de filterbox.

Bij levering zijn de kabeldoorvoeren en mogelijke plaatsen voor elektrische apparaten in het aquariumdeksel afgesloten met afdekkingen. De afdekkingen zijn met de hand of met een tang te verwijderen.

OPGELET!

Het deksel van het aquarium kan beschadigd raken als een afdekking met te veel kracht wordt verwijderd.

- Snijd de randen van de afdekking voor met een scherp mes, voordat u de afdekking verwijdert.
 - Verwijder de afdekking voorzichtig.
-

- Bij plaatsing van de filterbox ter hoogte van het aquariumdeksel verwijdert u voorzichtig de afdekking van de gewenste plaats in het aquariumdeksel (figuren B en C).
- Bij plaatsing van de filterbox onder het aquariumdeksel verwijdert u voorzichtig de afdekkingen van de kabeldoorvoeren voor de netsnoeren van het filter en het verwarmingselement (figuren B en C).
- Als de kabeldoorvoeren of mogelijke plaatsen scherpe randen hebben, maakt u ze glad met een kleine vijl.
- Leid de netsnoeren van het filter en het verwarmingselement naar boven uit het aquarium.
- Volg de bijgeleverde gebruiksaanwijzing van de filterbox, het filter en het verwarmingselement om de rest van de installatie te voltooien.

Extra elektrische apparaten plaatsen

Desgewenst kunt u extra elektrische apparaten (bijv. verwarmingselementen) in het aquarium plaatsen.

- Trek de stekkers van alle apparaten in het aquarium uit het stopcontact.
- Installeer elektrische apparaten volgens de bijbehorende gebruiksaanwijzing en andere voorschriften van de fabrikant.
- Verwijder voorzichtig de afdekkingen van de benodigde kabeldoorvoeren en mogelijke plaatsen in het aquariumdeksel (figuren B en C).
- Ga daarbij te werk zoals hierboven beschreven.

Aansluiten en inschakelen

- Schakel de elektrische apparaten in het aquarium in volgens de bijgeleverde gebruiksaanwijzingen.

LED-verlichting

- Steek de stekker in het stopcontact.
- Er zijn twee schakelstanden om de lichtkleur te kiezen:
- Dagverlichting: Het aquarium wordt verlicht met daglichtwit licht.
 - Nachtverlichting: Het aquarium wordt verlicht met blauw licht. Dit geeft een mooi maanlichteffect.
 - In het ideale geval brandt de verlichting 8 tot 12 uur per dag.
 - Met een tijdschakelaar kan de dagverlichting automatisch worden in- en uitgeschakeld.

Reinigen

- Trek de stekkers van alle apparaten in het aquarium uit het stopcontact.
- Leeg het aquarium.

OPGELET!

Verkeerde reiniging kan leiden tot beschadiging van het aquarium of vergiftiging van levende wezens in het aquarium.

- Gebruik voor het reinigen nooit harde, puntige of scherpe voorwerpen.
- Gebruik zachte doeken of sponzen.
- Gebruik voor het reinigen alleen schoon water of speciale reinigingsmiddelen voor aquaria. Deze zijn verkrijgbaar bij uw verkoper.
- Reinig met name de hoeken van het aquarium voorzichtig om beschadiging van de lijmverbindingen te voorkomen.

-
- Reinig het aquarium zorgvuldig.

Onderhoud

- Trek de stekkers van alle apparaten in het aquarium uit het stopcontact.

VOORZICHTIG

Glasscherven kunnen snijwonden veroorzaken.

- Zorg ervoor dat u de bak niet breekt.
 - Raak de glasscherven niet aan als de bak breekt.
 - Draag beschermende handschoenen.
 - Verwijder zorgvuldig alle glasscherven.
-
- Voer onderhoud aan de elektrische apparaten in het aquarium uit volgens de bijgeleverde gebruiksaanwijzingen.

LED-verlichting

- Gebruik een droge of licht vochtige doek om de LED-verlichting te reinigen als deze vuil is.
- De lichtbron is niet vervangbaar. Aan het einde van zijn levensduur moet de LED-verlichting worden vervangen.

Technische ondersteuning

Neem bij storingen contact op met uw verkooppunt of het Tetra Technik Service Center.

Technische gegevens

AquaArt Explorer Line	30 l Goldfish	30 l Crayfish	60 l
Volume	30 l	30 l	60 l
Leeggewicht aquarium	6,9 kg	6,9 kg	13 kg
Gevuld gewicht (met filter)	37 kg	37 kg	73 kg
Afmetingen	L: 28 cm B: 41 cm H: 51 cm	L: 28 cm B: 41 cm H: 51 cm	L: 36 cm B: 51 cm H: 61 cm
Tetra EasyCrystal	Filter 250	Filter 250	FilterBox 300
Verwarmings-element	–	–	Tetra HT50
LED-verlichting			
Spanning	220 - 240 V ~ 50/60 Hz		
Vermogen dagverlichting	4 W	4 W	6 W
Vermogen nachtverlichting	1,5 W	1,5 W	1,5 W
Beschermings-klasse	II	II	II
Beschermings-graad	IP X7	IP X7	IP X7

Afvalverwijdering

Het milieuvriendelijk verwijderen van elektronische eenheden, recyclebare materialen en andere componenten wordt geregeld door nationale en regionale wetgeving.

- Neem contact op met uw gemeente voor meer informatie over het afvoeren van afval.
- Voer alle onderdelen af volgens de wettelijke voorschriften.



Garantie

Dankzij moderne productietechnieken, hoogwaardige componenten en strenge kwaliteitscontroles kunnen we twee jaar garantie bieden op de glasverlijming van het aquarium en de werking van de bijgeleverde elektrische apparaten. De garantietermijn gaat in op de datum van aankoop. Bewaar uw aankoopbewijs goed. Er kan geen aanspraak op de garantie worden gemaakt in geval van oneigenlijk gebruik, normale slijtage van slijtdelen of technische ingrepen aan het apparaat.

Neem bij klachten contact op met uw verkooppunt of met Tetra GmbH, Tetra Technik Service Center, Postfach 1580, D-49304 Melle, Duitsland, www.tetra.net.

Traduzione in italiano delle istruzioni originali in tedesco

ATTENZIONE

- Questo dispositivo può essere utilizzato da bambini dagli 8 anni in su e da persone con ridotte capacità fisiche, sensoriali o mentali, o senza esperienza e competenze, solo se supervisionati o istruiti su come utilizzare in sicurezza il dispositivo, comprendendone i relativi rischi.
- I bambini non devono giocare con il dispositivo.
- I bambini non devono eseguire operazioni di pulizia o manutenzione senza supervisione.
- Spegner e scollegare dalla rete elettrica tutti i dispositivi dell'acquario prima di entrare in contatto con l'acqua.
- I cavi di collegamento danneggiati non sono sostituibili. Smaltire il dispositivo.

Istruzioni sulla sicurezza

Prevenzione di situazioni pericolose

- Collegare la luce LED soltanto a una presa di corrente installata da personale specializzato.
- Assicurarci che l'impianto elettrico sia protetto da un interruttore differenziale (salvavita).
- Collegare la luce LED alla rete elettrica soltanto se la tensione di alimentazione locale corrisponde alle specifiche indicate nei dati tecnici.
- Proteggere la presa di corrente dall'umidità.
- Non toccare mai i cavi di alimentazione e le spine dei dispositivi elettrici con le mani bagnate.
- Assicurarci che la presa di corrente sia protetta dall'ingresso di acqua e umidità.
- Afferrare la spina per rimuoverla dalla presa; non tirare il cavo di alimentazione.
- Scollegare sempre la luce LED dalla presa elettrica prima della pulizia o di qualsiasi operazione di manutenzione.
- Non lasciare che i bambini giochino con le piccole parti in quanto vi è il rischio di soffocamento.
- La spina deve essere accessibile in qualsiasi momento per scollegare velocemente la luce LED dalla presa in caso di emergenza.
- Non apportare mai modifiche tecniche al dispositivo.

Prevenzione dei danni

- Non piegare o schiacciare il cavo di alimentazione.
- Utilizzare soltanto accessori e ricambi originali.
- Non trasportare mai l'acquario quando è pieno.
- Pulire l'acquario solo con panni morbidi o spugne.
- Per la pulizia, utilizzare acqua del rubinetto o prodotti speciali per acquari.

Premessa

Le presenti istruzioni sono parte integrante del prodotto. Conservarle vicino al prodotto. Nel caso in cui il prodotto venga ceduto a terzi, consegnare anche il manuale d'uso.

Indice

Istruzioni sulla sicurezza	34
Premessa	35
Indice	35
Legenda	35
Convenzioni grafiche delle presenti istruzioni ..	35
Avvertenze e informazioni	35
Destinazione d'uso	36
Installazione della luce LED	37
Installazione del filtro nell'acquario Explorer Line da 30 l	37
Collegamento elettrico e messa in funzione	39
Luce LED	39
Pulizia	39
Manutenzione	39
Assistenza tecnica	40
Dati tecnici	40
Smaltimento	40
Garanzia	40

Legenda

(delle Figure A, B, D)

N.	Descrizione
1	Luce LED
2	Coperchio dell'acquario
3	Vasca
4	Cavi di alimentazione con spine
5	Struttura di base
6	Filtro (per Explorer Line da 30 l) Unità del filtro con elemento riscaldante (per Explorer Line da 60 l)
7	Sportello per somministrazione mangime
8	Guide per i cavi (chiusure con coperture al momento della consegna)
9	Posizioni opzionali per i dispositivi elettrici (chiusure con coperture al momento della consegna)
10	Braccio per luce
11	Interruttore della luce
12	Viti di fissaggio

Convenzioni grafiche delle presenti istruzioni

Le varie parti delle presenti istruzioni sono redatte secondo precise convenzioni grafiche che aiutano a distinguere velocemente il tipo di testo in questione:

Testo standard

Riferimenti incrociati

- Elenchi o
- Azioni

Avvertenze e informazioni

Le presenti istruzioni per l'uso contengono le seguenti categorie di avvertimenti e istruzioni:

Avvertenze

AVVERTIMENTO

Le note che contengono il termine **AVVERTIMENTO** segnalano una situazione che può provocare lesioni leggere o moderate.

Informazioni

ATTENZIONE!

Queste note segnalano una situazione che può causare danni materiali o inquinamento ambientale.

Destinazione d'uso

L'acquario è inteso esclusivamente ad accogliere pesci ornamentali e invertebrati quali granchi o gamberetti. La temperatura dell'acqua non deve superare i 35 °C. L'acquario è destinato ad un uso esclusivamente in ambienti interni. La luce LED può essere montata e messa in funzione solo su questo acquario.

Ai fini di garantire un uso adeguato occorre prendere atto anche di tutte le informazioni riportate nelle presenti istruzioni e in quelle allegate, nonché rispettare le informazioni sulla sicurezza.

L'utilizzo del prodotto per fini diversi da quelli previsti è considerato come un uso improprio e può provocare danni materiali o lesioni personali, oltre a far decadere la garanzia.

In particolare, l'acquario non deve essere utilizzato nei seguenti casi:

- Se sono state apportate modifiche o effettuati lavori di riparazione non autorizzati.
- Se viene utilizzato in ambienti esterni.

Tetra GmbH declinerà qualsiasi responsabilità per perdite o danni riconducibili a un uso improprio del prodotto.

Disimballaggio e installazione

L'acquario deve essere posizionato in prossimità di prese di corrente con messa a terra e adeguatamente installate (230 V ~ 50 Hz), per consentire il collegamento dei dispositivi elettrici.

- Estrarre le spine di tutti i dispositivi elettrici installati nell'acquario.
-

AVVERTIMENTO

I frammenti di vetro possono provocare tagli.

- Fare attenzione a non rompere la vasca.
 - Qualora la vasca si rompesse, non toccare i frammenti di vetro.
 - Indossare dei guanti.
 - Rimuovere con cautela tutti i frammenti di vetro.
-

ATTENZIONE!

Se l'imballaggio del prodotto non viene aperto correttamente, si rischia di danneggiare il coperchio dell'acquario e di rompere il vetro.

- Sollevare l'acquario afferrandolo solo dalla struttura di base.
 - Sollevare e trasportare l'acquario solo e sempre con l'aiuto di un'altra persona.
-
- Aprire l'imballaggio.
 - Sollevare con cautela l'acquario rimuovendolo dall'imballaggio.

ATTENZIONE!

Se si sceglie una posizione non adatta, l'acquario potrebbe subire dei danni.

- Assicurarsi di posizionarlo su una superficie piana, orizzontale e impermeabile.
- Assicurarsi che la superficie su cui viene posizionato sia adatta a reggerne il peso.

Tale superficie deve avere una capacità di carico pari a tre volte il peso dell'acquario riempito d'acqua. Per i dati relativi al peso lordo dell'acquario consultare la sezione *Dati tecnici* a pagina 9.

- Posizionare l'acquario con la struttura di fondo nella posizione richiesta.
- Rimuovere tutti i componenti presenti all'interno della vasca.
- Pulire la vasca eliminando tutte le impurità.
- Non utilizzare mai oggetti rigidi, appuntiti o affilati per la pulizia della vasca.
- Utilizzare panni morbidi o spugne.
- Riempire la vasca con acqua calda del rubinetto a una temperatura di circa 25 °C.
- Verificare che non vi siano perdite.
- In caso di perdite, svuotare l'acquario e riportarlo presso il negozio per farlo sostituire.

Installazione della luce LED

(Figure A e B)

- Estrarre le spine di tutti i dispositivi elettrici installati nell'acquario.
- Montare la luce LED nella posizione prevista (Figura A).
- Non stringere eccessivamente le viti di fissaggio della luce LED per non danneggiare la parete dell'acquario.

Installazione del filtro nell'acquario Explorer Line da 30 l

Gli acquari AquaArt Explorer Line da 30 l Crayfish e AquaArt Explorer Line da 30 l Goldfish sono forniti completi di filtro EasyCrystal 250.

- Estrarre le spine di tutti i dispositivi elettrici installati nell'acquario.
- Rimuovere il coperchio dell'acquario.
- Scegliere una posizione nella quale montare il filtro all'interno della vasca, in una parte non ricurva.
- Assicurarsi di tenere il filtro a distanza adeguata dalla base e dalle apparecchiature dell'acquario.

Le distanze adeguate sono riportate nelle istruzioni allegate relative al filtro.

- Assicurarsi di rispettare quanto previsto nelle istruzioni del filtro in merito al livello dell'acqua.
- Assicurarsi di montare il filtro in posizione verticale all'interno della vasca, come mostrato nelle istruzioni del filtro.

Al momento della consegna del prodotto, le guide per i cavi e le posizioni opzionali per i dispositivi elettrici presenti nel coperchio dell'acquario sono chiuse con apposite coperture. Tali coperture possono essere rimosse manualmente o con un paio di pinze.

ATTENZIONE!

Se si esercita troppa forza nel rimuovere la copertura si rischia di danneggiare il coperchio dell'acquario.

- Prima di rimuovere la copertura, fare una leggera incisione lungo i bordi con un coltello affilato.
- Rimuovere la copertura con cautela.

- Se il filtro viene installato a livello del coperchio dell'acquario, rimuovere con cautela la copertura dalla posizione opzionale corrispondente nel coperchio dell'acquario (Figure B e C).
- Se il filtro viene installato sotto il coperchio dell'acquario, rimuovere con cautela la copertura da una delle guide per i cavi elettrici (Figure B e C).
- Se le guide per i cavi elettrici o le posizioni opzionali hanno i bordi taglienti, smussarli con una piccola lima.
- Introdurre il cavo di alimentazione nella guida dal basso verso l'alto, facendolo uscire dall'acquario.
- Seguire le istruzioni allegate al filtro per completare il resto dell'installazione.

Installazione dell'unità del filtro e dell'elemento riscaldante nell'acquario Explorer Line da 60 l

L'acquario AquaArt Explorer Line da 60 l è fornito completo di EasyCrystal FilterBox 300, che contiene il filtro ed è dotato di scomparto per l'elemento riscaldante.

- Estrarre le spine di tutti i dispositivi elettrici installati nell'acquario.
- Rimuovere il coperchio dell'acquario.
- Scegliere una posizione nella quale montare l'unità del filtro all'interno della vasca, in una parte non ricurva.
- Assicurarsi di tenere il filtro a distanza adeguata dalla base e dalle apparecchiature dell'acquario.

Le distanze adeguate sono riportate nelle istruzioni allegate relative all'unità del filtro.

- Assicurarsi di rispettare la profondità minima di immersione (come specificato sulla parte esterna dell'unità del filtro).

- Assicurarsi di montare l'unità del filtro in posizione verticale all'interno della vasca, come mostrato nelle relative istruzioni.
- Installare l'elemento riscaldante nell'unità del filtro come descritto nelle relative istruzioni.

Al momento della consegna del prodotto, le guide per i cavi e le posizioni opzionali per i dispositivi elettrici presenti nel coperchio dell'acquario sono chiuse con apposite coperture. Tali coperture possono essere rimosse manualmente o con un paio di pinze.

ATTENZIONE!

Se si esercita troppa forza nel rimuovere la copertura si rischia di danneggiare il coperchio dell'acquario.

- Prima di rimuovere la copertura, fare una leggera incisione lungo i bordi con un coltello affilato.
 - Rimuovere la copertura con cautela.
-

- Se l'unità del filtro viene installata a livello del coperchio dell'acquario, rimuovere con cautela la copertura dalla posizione opzionale corrispondente nel coperchio dell'acquario (Figure B e C).
- Se l'unità del filtro viene installata sotto il coperchio dell'acquario, rimuovere con cautela le coperture dalle guide per i cavi elettrici del filtro e dell'elemento riscaldante (Figure B e C).
- Se le guide per i cavi elettrici o le posizioni opzionali hanno i bordi taglienti, smussarli con una piccola lima.
- Introdurre i cavi elettrici del filtro e del riscaldatore nelle guide dal basso verso l'alto, facendoli uscire dall'acquario.
- Per completare il resto dell'installazione, seguire le istruzioni allegate relative all'unità del filtro, al filtro e all'elemento riscaldante.

Installazione di dispositivi elettrici aggiuntivi

È possibile installare nell'acquario dispositivi elettrici aggiuntivi (ad esempio elementi riscaldanti), ove necessario.

- Estrarre le spine di tutti i dispositivi elettrici installati nell'acquario.
- Installare i dispositivi elettrici come descritto nelle relative istruzioni per l'uso e nelle altre istruzioni fornite dal produttore.
- Rimuovere con cautela le coperture dalle guide per i cavi e le posizioni opzionali nel coperchio dell'acquario (Figure B e C).
- Procedere come descritto nella sezione di cui sopra.

Collegamento elettrico e messa in funzione

- Mettere in funzione i dispositivi elettrici installati nell'acquario come descritto nelle istruzioni allegate.

Luce LED

- Inserire la spina nella presa.

Sull'interruttore sono presenti due posizioni per scegliere il colore dell'illuminazione:

- Illuminazione per il giorno: la lampada emette una luce bianca adatta al giorno.
- Illuminazione per la notte: la lampada emette una luce blu adatta alla notte che crea un bell'effetto "chiaro di luna".
- La luce dovrebbe rimanere accesa preferibilmente da 8 a 12 ore al giorno.
- Utilizzando un timer è possibile accendere e spegnere automaticamente l'illuminazione per il giorno.

Pulizia

- Estrarre le spine di tutti i dispositivi elettrici installati nell'acquario.
- Svuotare la vasca.

ATTENZIONE!

Una pulizia non adeguata potrebbe danneggiare l'acquario o avvelenare i pesci.

- Non utilizzare mai oggetti rigidi, appuntiti o affilati per la pulizia della vasca.
- Utilizzare panni morbidi o spugne.
- Utilizzare esclusivamente acqua del rubinetto o prodotti speciali per la pulizia dell'acquario acquistabili presso il proprio negozio di fiducia.
- Prestare particolare attenzione nel pulire gli angoli della vasca per evitare danni alle giunture incollate delle pareti di vetro.

- Pulire con cura l'acquario.

Manutenzione

- Estrarre le spine di tutti i dispositivi elettrici installati nell'acquario.



AVVERTIMENTO

I frammenti di vetro possono provocare tagli.

- Fare attenzione a non rompere la vasca.
- Qualora la vasca si rompesse, non toccare i frammenti di vetro.
- Indossare dei guanti.
- Rimuovere con cautela tutti i frammenti di vetro.

- Per la manutenzione dei dispositivi elettrici presenti nell'acquario attenersi a quanto descritto nelle istruzioni allegate.

Luce LED

- Qualora la luce LED fosse sporca, pulirla con un panno asciutto o leggermente inumidito.
- La lampada interna non è sostituibile. Al termine della sua durata utile, l'illuminazione LED deve essere sostituita completamente.

Assistenza tecnica

In caso di guasti, contattare il proprio rivenditore di zona o il Servizio Assistenza tecnica di Tetra.

Dati tecnici

AquaArt Explorer Line	30 l Goldfish	30 l Crayfish	60 l
Volume	30 l	30 l	60 l
Peso netto della vasca	6,9 kg	6,9 kg	13 kg
Peso lordo (con l'acqua)	37 kg	37 kg	73 kg
Dimensioni	L: 28 cm P: 41 cm H: 51 cm	L: 28 cm P: 41 cm H: 51 cm	L: 36 cm P: 51 cm H: 61 cm
Tetra EasyCrystal	Filtro 250	Filtro 250	FilterBox 300
Elemento riscaldante	–	–	Tetra HT50
Luce LED			
Tensione	220 - 240 V ~ 50/60 Hz		
Potenza illum. giorno	4 W	4 W	6 W
Potenza illum. notte	1,5 W	1,5 W	1,5 W
Classe di protezione	II	II	II
Grado di protezione	IP X7	IP X7	IP X7

Smaltimento

Lo smaltimento ecocompatibile di moduli elettrici, materiali riciclabili e altri componenti è regolato da normative nazionali e regionali.

- Per le informazioni relative allo smaltimento, contattare l'ente locale preposto.
- Attenersi alle disposizioni di legge per lo smaltimento dei vari componenti.



Garanzia

Le nostre tecniche di produzione moderne, l'uso di componenti di alta qualità e i severi controlli sulla qualità ci permettono di offrire una garanzia di due anni sulle giunture adesive dei vetri dell'acquario e sul funzionamento dei dispositivi elettrici forniti in dotazione. Il periodo di garanzia decorre dalla data di acquisto. Conservare lo scontrino o la fattura in un luogo sicuro. Non saranno accettati reclami relativi alla garanzia in caso di uso improprio o manomissione del prodotto; inoltre si precisa che la normale usura delle parti espandibili non è coperta dalla garanzia.

In caso di reclami, rivolgersi al proprio negozio di fiducia o contattare Tetra GmbH, il Servizio Assistenza tecnica di Tetra, Postfach 1580, D-49304 Melle, Germania, www.tetra.net.

Traducción al español de las instrucciones originales alemanas

ADVERTENCIA

- Este dispositivo puede ser utilizado por niños mayores de 8 años y personas con capacidades físicas, sensoriales o mentales reducidas o falta de experiencia y conocimientos siempre que estén supervisadas o hayan recibido instrucciones sobre la utilización segura del dispositivo y comprendido los riesgos resultantes.
- Los niños no deben jugar con este dispositivo.
- Los niños no deben realizar actividades de limpieza o mantenimiento sin supervisión de un adulto.
- Apague y desenchufe todos los dispositivos del acuario antes de meter las manos en el agua.
- No es posible sustituir los cables de conexión dañados. Deseche el dispositivo.

Instrucciones de seguridad

Cómo evitar situaciones peligrosas

- Solo conecte la luminaria LED a una caja de enchufe profesionalmente instalada.
- Asegúrese de que el sistema de alimentación eléctrica está protegido por un disyuntor de corriente residual sensible a CA/CC.
- Solo conecte la luminaria LED a la red si el suministro de corriente local se ajusta a las especificaciones de las características técnicas.
- Proteja la clavija de toma de corriente de la humedad.
- Nunca toque los cables de los dispositivos eléctricos con las manos mojadas.
- Cerciórese de que el enchufe esté protegido frente a la entrada de agua y humedad.
- Agarre la clavija para desenchufarla de la toma de corriente; no tire del cable.
- Desconecte siempre la luminaria LED de la alimentación eléctrica antes de limpiar o realizar tareas de mantenimiento.
- No permita que los niños jueguen con piezas pequeñas, pues existe riesgo de asfixia.
- La clavija de toma de corriente debe quedar accesible para poder desconectar la luminaria LED de la alimentación eléctrica de un modo sencillo y rápido en caso de emergencia.
- Nunca realice modificaciones técnicas en el dispositivo.

Prevención de daños materiales

- No doble ni aplaste el cable de conexión a la red.
- Utilice solo piezas de repuesto y accesorios originales.
- No transporte el acuario cuando esté lleno.
- Limpie el acuario exclusivamente con paños suaves o esponjas.
- Para la limpieza cabe utilizar agua limpia o productos especiales para acuarios.

Prefacio

Estas instrucciones constituyen una parte integral del producto. Conserve las instrucciones cerca del producto. No olvide incluir el manual de instrucciones cuando transfiera el producto.

Índice

Instrucciones de seguridad	41
Prefacio.....	42
Índice.....	42
Leyenda.....	42
Convenciones de estilo en estas instrucciones	42
Advertencias e información	43
Uso previsto	43
Instalación de la luminaria LED	44
Instalación del filtro en Explorer Line 30 l.....	44
Conexión y puesta en funcionamiento	46
Luminaria LED	46
Limpieza	46
Mantenimiento.....	46
Soporte técnico	47
Especificaciones técnicas	47
Eliminación	48
Garantía	48

Leyenda

(para las Figuras A, B, D)

Nº	Descripción
1	Luminaria LED
2	Tapa de acuario
3	Tanque
4	Cable de corriente con clavijas
5	Marco
6	Filtro (para el modelo Explorer Line 30 l) Caja de filtro con elemento calentador (para el modelo Explorer Line 60 l)
7	Compuerta para dosificar el alimento
8	Guías de cable (cerradas con tapas a la entrega)
9	Posiciones opcionales para dispositivos eléctricos (cerradas con tapas a la entrega)
10	Brazo de luminaria
11	Interruptor de luz
12	Tornillos de seguridad

Convenciones de estilo en estas instrucciones

Estas instrucciones contienen diversos elementos con convenciones de estilo definidas, que permiten reconocer con facilidad el tipo de texto:

Texto estándar

Referencias cruzadas

- Enumeraciones o

➤ Acciones

Advertencias e información

Las presentes instrucciones de funcionamiento incluyen estas categorías de mensajes de advertencia e indicaciones:

Advertencias

PRECAUCIÓN

Las notas con la palabra PRECAUCIÓN advierten de una situación que puede provocar lesiones leves o moderadas.

Información

¡ATENCIÓN!

Estas notas advierten de una situación que puede provocar daños materiales o contaminación ambiental.

Uso previsto

El acuario está diseñado para albergar exclusivamente peces ornamentales e invertebrados tales como cangrejos y camarones. No se debe superar una temperatura máxima del agua de 35 °C. El acuario está diseñado solo para uso en espacios interiores. La luminaria LED está pensada para montaje y manejo exclusivos con este acuario.

Por uso adecuado se entiende asimismo prestar atención a la información de este manual y todas las instrucciones adjuntas y respetar las indicaciones de seguridad.

La utilización del producto para otros fines se considerará inadecuada y podría conllevar daños materiales o lesiones personales, además de la anulación de la garantía.

En particular, el acuario no se debe utilizar en los siguientes casos:

- Si usted realiza modificaciones o reparaciones no autorizadas.
- Si usted emplea el acuario fuera de espacios interiores.

La empresa Tetra GmbH no se responsabilizará de pérdidas o daños causados por un uso inadecuado.

Desembalaje e instalación

Debe haber enchufes correctamente instalados y conectados a tierra (230 V ~ 50 Hz) cerca del lugar de instalación del acuario para los dispositivos eléctricos que contenga.

- Retire las clavijas de todos los dispositivos eléctricos instalados en el acuario.

PRECAUCIÓN

Los fragmentos de vidrio pueden causar cortes y heridas.

- Procure no romper el tanque.
- No toque los fragmentos de vidrio si el tanque se rompe.
- Póngase guantes.
- Retire todos los fragmentos de vidrio con cuidado.

¡ATENCIÓN!

La tapa del acuario podría dañarse y el cristal romperse si el desembalaje se hace de modo inapropiado.

- Levante el acuario sujetándolo siempre del marco.
- Las maniobras de elevación y transporte del acuario deben hacerse con ayuda de otra persona.

- Abra el embalaje.
- Extraiga con cuidado el acuario del embalaje.

¡ATENCIÓN!

El acuario podría sufrir daños si escoge una posición inapropiada para él.

- Asegúrese de colocar el acuario en un lugar plano, horizontal y a prueba de agua.
- Cerciérese de que la ubicación seleccionada puede soportar el peso de la unidad.

La posición de instalación debe ser lo bastante alta para soportar tres veces el peso del acuario lleno. Encontrará información sobre el peso bruto en el apartado titulado *Características técnicas*, que comienza en la página 9.

- Deposite el acuario con el marco hacia abajo en la ubicación deseada.
- Retire todas las piezas que haya dentro del tanque.
- Limpie la suciedad que haya en el interior.
- Nunca utilice objetos duros, afilados o puntiagudos para labores de limpieza.
- Emplee paños suaves o esponjas.
- Llene el tanque con agua del grifo tibia a una temperatura aproximada de 25 °C.
- Compruebe que el tanque es hermético.
- Si hay fugas en el acuario, vacíelo y pida a su distribuidor que sustituya el tanque.

Instalación de la luminaria LED

(Figuras A y B)

- Retire las clavijas de todos los dispositivos eléctricos instalados en el acuario.
- Instale la luminaria LED en la posición prevista (Figura A).
- Evite apretar en exceso los tornillos de seguridad de la luminaria LED para no dañar la pared del acuario.

Instalación del filtro en Explorer Line 30 I

Los modelos AquaArt Explorer Line 30 I Crayfish y AquaArt Explorer Line 30 I Goldfish se suministran con EasyCrystal Filter 250.

- Retire las clavijas de todos los dispositivos eléctricos instalados en el acuario.
- Quite la tapa del acuario.
- Seleccione una posición para instalar del filtro dentro del tanque que no sea curva.
- Asegúrese de respetar las distancias necesarias con la base y los equipos del acuario.

Las distancias necesarias se especifican en las instrucciones adjuntas para el filtro.

- Garantice que se satisfacen los requisitos sobre nivel del agua especificados en las instrucciones del filtro.
- Fije el filtro en posición vertical dentro del tanque tal y como se detalla en las instrucciones del filtro.

Las guías de cable y las posiciones opcionales para dispositivos eléctricos en la tapa del acuario están cerradas con cubiertas en el momento de la entrega. Las cubiertas se pueden retirar a mano o con unas tenazas.

¡ATENCIÓN!

La tapa del acuario podría dañarse si se ejerce demasiada fuerza para quitar una cubierta.

- Levante los bordes con un cuchillo afilado antes de quitar la cubierta.
 - Retire la cubierta con cuidado.
- Si el filtro está instalado al nivel de la tapa del acuario, retire con cuidado la cubierta de la posición opcional correspondiente en la tapa del acuario (Figuras B y C).

- Si el filtro está instalado debajo de la tapa del acuario, retire con cuidado la cubierta de una guía para el cable de red (Figuras B y C).
- Si las guías de cable o las posiciones opcionales tienen bordes cortantes, alíselos con una lima pequeña.
- Dirija el cable eléctrico hacia arriba y hacia fuera del acuario.
- Siga las instrucciones adjuntas del filtro para completar el resto de la instalación.

Instalación de la caja de filtro y del elemento calentador en Explorer Line 60 I

El modelo AquaArt Explorer Line 60 I se suministra con EasyCrystal FilterBox 300, que contiene el filtro. Además alberga el elemento calentador suministrado.

- Retire las clavijas de todos los dispositivos eléctricos instalados en el acuario.
- Quite la tapa del acuario.
- Seleccione una posición no curva para instalar la caja del filtro dentro del tanque.
- Asegúrese de respetar las distancias necesarias con la base y los equipos del acuario.

Las distancias necesarias se detallan en las instrucciones adjuntas para la caja del filtro.

- No olvide respetar la profundidad de inmersión mínima (como se especifica en el exterior de la caja del filtro).
- Fije la caja del filtro en posición vertical dentro del tanque tal y como se detalla en las instrucciones de la caja del filtro.
- Instale el elemento calentador en la caja del filtro tal y como se describe en las instrucciones para la caja del filtro.

En el momento de la entrega, las guías de cable y las posiciones opcionales para dispositivos eléctricos en la tapa del acuario están cerradas con cubiertas. Las cubiertas se pueden retirar a mano o con unas tenazas.

¡ATENCIÓN!

La tapa del acuario podría dañarse si se ejerce demasiada fuerza para quitar una cubierta.

- Levante los bordes con un cuchillo afilado antes de quitar la cubierta.
- Retire la cubierta con cuidado.

- Si la caja del filtro está instalada al nivel de la tapa del acuario, retire con cuidado la cubierta de la posición opcional correspondiente en la tapa del acuario (Figuras B y C).
- Si la caja del filtro está instalada debajo de la tapa del acuario, retire con cuidado las cubiertas de las guías para los cables de red del filtro y del elemento calentador (Figuras B y C).
- Si las guías de cable o las posiciones opcionales tienen bordes cortantes, alíselos con una lima pequeña.
- Dirija los cables de red del filtro y del elemento calentador hacia arriba y hacia fuera del acuario.
- Siga las instrucciones adjuntas de la caja del filtro, del filtro y del elemento calentador para completar el resto de la instalación.

Instalación de dispositivos eléctricos adicionales

En caso necesario, se pueden instalar dispositivos eléctricos adicionales (por ejemplo, elementos calentadores) en el acuario.

- Retire las clavijas de todos los dispositivos eléctricos instalados en el acuario.
- Instale los dispositivos eléctricos como se describe en el manual de uso y las demás instrucciones proporcionadas por el fabricante.
- Retire con cuidado las cubiertas de las respectivas guías de cables y posiciones opcionales en la tapa del acuario (Figuras B y C).
- Proceda como se describe en el apartado anterior.

Conexión y puesta en funcionamiento

- Ponga en marcha los dispositivos eléctricos instalados en el acuario tal y como se describe en las instrucciones adjuntas.

Luminaria LED

- Inserte la clavija en la toma de corriente.

Hay dos posiciones de conmutación para seleccionar el color de la iluminación:

- Iluminación diurna: la unidad luminosa emite luz blanca diurna.
- Iluminación nocturna: la unidad luminosa emite luz azul, para crear un atractivo efecto luz de luna.
- Lo normal es que la iluminación esté conectada entre 8 y 12 horas al día.
- Con un temporizador es posible activar y desactivar la iluminación diurna automáticamente.

Limpieza

- Retire las clavijas de todos los dispositivos eléctricos instalados en el acuario.
- Vacíe el tanque.

¡ATENCIÓN!

Una limpieza incorrecta puede dañar el acuario o contaminar el contenido del tanque.

- Está prohibido utilizar objetos duros, afilados o puntiagudos para limpiar.
- Emplee paños suaves o esponjas.
- Utilice para limpiar exclusivamente agua clara o productos especiales para acuarios. Puede adquirirlos en su distribuidor.
- Es muy importante limpiar las esquinas del tanque con cuidado para no dañar las juntas adhesivas de las paredes de cristal.

- Limpie el acuario con esmero.

Mantenimiento

- Retire las clavijas de todos los dispositivos eléctricos instalados en el acuario.

⚠ PRECAUCIÓN

Los fragmentos de vidrio pueden causar cortes.

- Procure no romper el tanque.
- No toque los fragmentos de vidrio si el tanque se rompe.
- Póngase guantes.
- Retire todos los fragmentos de vidrio con cuidado.

- Para realizar tareas de mantenimiento de los dispositivos eléctricos del acuario, siga las instrucciones adjuntas.

Luminaria LED

- Si se ensucia, limpie la luminaria LED con un paño seco o ligeramente humedecido.
- La fuente de luz no es reemplazable. Cuando haya agotado su vida útil, será necesario sustituir la luminaria LED.

Soporte técnico

En caso de avería, contacte con su distribuidor local o con Tetra Technik Service Center.

Especificaciones técnicas

AquaArt Explorer Line	30 l Goldfish	30 l Crayfish	60 l
Volumen	30 l	30 l	60 l
Peso neto del tanque	6,9 kg	6,9 kg	13 kg
Peso bruto (con agua)	37 kg	37 kg	73 kg
Dimensiones	La: 28 cm An: 41 cm Al: 51 cm	La: 28 cm An: 41 cm Al: 51 cm	La: 36 cm An: 51 cm Al: 61 cm
Tetra EasyCrystal	Filter 250	Filter 250	FilterBox 300
Elemento calentador	–	–	Tetra HT50

Luminaria LED

Tensión	220 - 240 V ~ 50/60 Hz		
Potencia Iluminación diurna	4 W	4 W	6 W
Potencia Iluminación nocturna	1,5 W	1,5 W	1,5 W
Clase de protección	II	II	II
Grado de protección	IP X7	IP X7	IP X7

Eliminación

Cabe respetar la legislación nacional y regional sobre eliminación ecológica de módulos electrónicos, materiales reciclables y demás componentes.

- Si desea conocer más datos sobre eliminación, contacte con su autoridad competente local.
- No olvide cumplir los requisitos legales cuando decida prescindir de los componentes.



Garantía

Nuestras modernas técnicas de fabricación, componentes de alta calidad e inspecciones rigurosas para control de calidad nos permiten conceder una garantía de dos años sobre las juntas de cristal adhesivas del acuario o para el funcionamiento de los dispositivos eléctricos suministrados. El plazo de garantía comienza en la fecha de compra. Guarde su recibo en un lugar seguro. No habrá derecho de reclamación en casos de uso inapropiado y manipulación; la garantía tampoco cubre el desgaste normal de las partes fungibles.

Para reclamaciones, contacte con su distribuidor local o con Tetra GmbH, Tetra Technik Service Center, Postfach 1580, D-49304 Melle (Alemania), www.tetra.net.

Tradução portuguesa das instruções originais em alemão

AVISO

- Este aparelho pode ser usado por crianças com idade igual ou superior a 8 anos, e é igualmente indicado para pessoas com capacidades físicas, sensoriais ou cognitivas reduzidas ou com falta de experiência e conhecimento, desde que supervisionadas ou devidamente instruídas para a utilização correta e segura do aparelho e do risco associado à utilização do mesmo.
- As crianças não devem brincar com o aparelho.
- As crianças não devem realizar atividades de limpeza ou manutenção sem supervisão.
- Desligar e retirar a ficha de alimentação elétrica de todos os aparelhos do seu aquário, antes de colocar a mão na água.
- Os cabos de ligação danificados não podem ser substituídos. Elimine o aparelho.

Instruções de segurança

Procedimentos para evitar situações perigosas

- Apenas estabeleça a ligação elétrica da lâmpada LED a uma tomada instalada por profissionais.
- Certifique-se que a rede elétrica está protegida com um disjuntor diferencial sensível à corrente residual AC/DC.
- A lâmpada LED só deve ser ligada à rede elétrica se a tensão de alimentação local corresponder às especificações nas características técnicas.
- Proteja a ficha elétrica da humidade.
- Nunca toque nos cabos de ligação ou nas fichas dos aparelhos elétricos com as mãos molhadas.
- Certifique-se que a tomada está protegida contra a penetração da água e da humidade.
- Para desligar o aparelho da corrente elétrica, puxe pela ficha e não puxe o cabo de ligação.
- Deve desligar sempre a lâmpada LED da rede elétrica antes de limpar ou levar a cabo qualquer tarefa de manutenção.
- Não deixe as peças pequenas ao alcance das crianças pois comportam risco de asfixia.
- A ficha deve estar sempre acessível para que a lâmpada LED possa ser fácil e rapidamente desligada da rede elétrica em caso de emergência.
- Não efetue modificações elétricas ao aparelho.

Procedimentos para evitar danos materiais

- Não dobre ou esmague o cabo de ligação à rede elétrica.
- Usar apenas peças sobresselentes e acessórios originais.
- Nunca transporte o aquário cheio.
- Utilize apenas esponjas ou panos macios para limpar o aquário.
- Ao limpar o aquário, utilize apenas água limpa ou produtos específicos para a limpeza do mesmo.

Introdução

Estas instruções são uma parte indissociável do produto. Guarde as instruções num local próximo do produto. Ao transmitir o produto, não se esqueça de entregar o manual de instruções.

Índice

Instruções de segurança.....	49
Introdução	50
Índice.....	50
Legenda	50
Convenções de estilo das instruções	50
Avisos e informação	51
Utilização prevista	51
Instalar a lâmpada LED	52
Instalar o filtro na linha Explorer 30 l.....	52
Ligar e dar início.....	54
Lâmpada LED	54
Limpeza	54
Manutenção.....	54
Apoio técnico.....	55
Dados técnicos.....	55
Eliminação	56
Garantia	56

Legenda

(das figuras A, B e D)

Nº	Descrição
1	Lâmpada LED
2	Tampa do aquário
3	Tanque
4	Cabo de ligação à rede elétrica com fichas
5	Estrutura
6	Filtro (para a linha Explorer 30 l) Compartimento do filtro com unidade de aquecimento (para a linha Explorer 60 l)
7	Aba de alimentação
8	Guias para os cabos (estão tapadas aquando da entrega)
9	Posições opcionais para aparelhos elétricos (estão tapadas aquando da entrega)
10	Candeeiro
11	Interruptor do candeeiro
12	Parafusos de fixação

Convenções de estilo das instruções

Vários elementos das instruções são apresentados de acordo com as convenções de estilo. Desta forma, é fácil e rápido reconhecer o tipo de texto em causa.

Texto padrão

Referências cruzadas

- Listas ou

➤ Ações

Avisos e informação

Estas instruções de funcionamento contêm as seguintes categorias de avisos e instruções:

Avisos

CUIDADO

As notas que contêm a palavra CUIDADO alertam para uma situação que pode provocar lesões ligeiras ou moderadas.

Informação

ATENÇÃO!

Estas notas alertam para uma situação que pode provocar danos materiais ou poluição ambiental.

Utilização prevista

O aquário foi desenhado exclusivamente para manutenção de peixes ornamentais e invertebrados, tais como caranguejos e camarões. A temperatura máxima da água não deve exceder os 35 °C. O aquário foi concebido para ser utilizado apenas em espaços fechados. A lâmpada LED só deve ser instalada e usada neste aquário.

Uma utilização correta prevê ainda que toda a informação contida nestas instruções e em todas as instruções apenas seja respeitada e que a informação de segurança seja cumprida.

A utilização do produto para outros fins é considerada inadequada e pode provocar danos materiais ou pessoais, que tornam a garantia nula e sem efeito.

Nomeadamente, o aquário não deve ser utilizado nas seguintes situações:

- Quando efetuar alterações ou reparações não autorizadas.
- Quando utilizar o aquário fora de espaços fechados.

Tetra GmbH não aceitará qualquer tipo de responsabilidade pela perda ou danos resultantes de utilização indevida.

Retirar da embalagem e instalar

Devem existir tomadas com ligação à terra devidamente instaladas (230 V ~ 50 Hz) nas proximidades do local onde o aquário será montado para ligar os aparelhos elétricos que o acompanham.

- Retire as fichas de todos os aparelhos elétricos instalados no aquário.

CUIDADO

Os pedaços de vidro partido podem provocar cortes.

- Tome as devidas precauções para não partir o tanque.
- Caso o tanque se parta, não toque nos pedaços de vidro partido.
- Utilize luvas.
- Retire os pedaços de vidro partido cuidadosamente.

ATENÇÃO!

Se o aquário for retirado de forma incorreta da embalagem, a tampa do mesmo pode ficar danificada ou o vidro partido.

- O aquário só pode ser agarrado pela estrutura.
- Para elevar e transportar o aquário, peça sempre a ajuda de outra pessoa.

- Abra a embalagem.

- Eleve o aquário cuidadosamente para retirá-lo da embalagem.

ATENÇÃO!

O aquário pode ficar danificado se o posicionar de forma incorreta.

- Certifique-se que o coloca num plano horizontal, uniforme e sobre equipamento à prova de água.
- Certifique-se que o coloca sobre um equipamento capaz de aguentar o respetivo peso.

A posição de instalação deve ser suficientemente elevada para suportar o triplo do peso do aquário quando cheio. A seção intitulada *Dados Técnicos* apresenta informação sobre o peso bruto do aquário e começa na página 9.

- Coloque o aquário na posição desejada, assente sobre a estrutura.
- Retire todas as peças do interior do tanque.
- Limpe a sujidade do tanque.
- Nunca utilize objetos duros, pontiagudos ou afiados para efeitos de limpeza.
- Utilize esponjas ou panos macios.
- Acrescente água tépida ao tanque, à temperatura aproximada de 25 °C.
- Verifique se o tanque tem fugas.
- Se o aquário tiver fugas, despeje a água e devolva-o ao revendedor, solicitando a substituição do mesmo.

Instalar a lâmpada LED

(Figuras A e B)

- Retire as fichas de todos os aparelhos elétricos instalados no aquário.
- Instale a lâmpada LED na posição indicada para a mesma (ver Figura A).
- Não aperte demasiado os parafusos de fixação da lâmpada LED para evitar danificar o vidro do aquário.

Instalar o filtro na linha Explorer 30 I

As linhas AquaArt Explorer 30 I Lagostins e AquaArt Explorer 30 I Peixes-vermelhos estão equipadas com um filtro EasyCrystal 250.

- Retire as fichas de todos os aparelhos elétricos instalados no aquário.
- Retire a tampa do aquário.
- Escolha a posição para instalar o filtro no interior do tanque, na parede que não é curva.
- Certifique-se que coloca o filtro respeitando as distâncias necessárias da base e do equipamento do aquário.

As distâncias exigidas estão indicadas nas instruções que acompanham o filtro.

- Certifique-se que respeita o nível da água indicado nas instruções do filtro.
- Fixe o filtro verticalmente no interior do tanque, de acordo com as instruções do filtro.

As guias para os cabos e as posições opcionais para os aparelhos elétricos na tampa do aquário estão tapadas aquando da entrega. Pode retirar as tampas com a mão ou usar um alicate.

ATENÇÃO!

A tampa do aquário pode ficar danificada se fizer demasiada força para destapar as ranhuras.

- Utilize uma faca afiada para separar as tampas antes de as retirar.
 - Retire as tampas cuidadosamente.
-
- Se o filtro for instalado ao mesmo nível da tampa do aquário, destape cuidadosamente a respetiva posição opcional na tampa do aquário (Figuras B e C).

- Se o filtro for instalado abaixo da tampa do aquário, destape cuidadosamente a guia para o cabo de ligação à rede elétrica (Figuras B e C).
- Utilize uma pequena lima para desbastar as extremidades das guias do cabo ou das posições opcionais se estas apresentarem extremidades afiadas.
- Direcione o cabo de ligação para cima e para fora do aquário.
- Siga as instruções que acompanham o filtro para concluir a instalação.

Instalar o compartimento do filtro e a unidade de aquecimento para a linha Explorer 60 I

A linha AquaArt Explorer 60 I está equipada com um compartimento para o filtro EasyCrystal FilterBox 300. O filtro está incluído no compartimento. O compartimento também inclui uma unidade de aquecimento.

- Retire as fichas de todos os aparelhos elétricos instalados no aquário.
- Retire a tampa do aquário.
- Escolha a posição para instalar o compartimento do filtro no interior do tanque, na parede que não é curva.
- Certifique-se que coloca o filtro respeitando as distâncias necessárias da base e do equipamento do aquário.

As distâncias exigidas estão indicadas nas instruções que acompanham o compartimento do filtro.

- Certifique-se que respeita a profundidade de imersão mínima (tal como indicado no exterior do compartimento do filtro).
- Fixe o compartimento do filtro verticalmente no interior do tanque, de acordo com as instruções do compartimento do filtro.

- Instale a unidade de aquecimento no compartimento do filtro, tal como indicado nas instruções do compartimento do filtro.

As guias para os cabos e as posições opcionais para os aparelhos elétricos na tampa do aquário estão tapadas aquando da entrega. Pode retirar as tampas com a mão ou usar um alicate.

ATENÇÃO!

A tampa do aquário pode ficar danificada se fizer demasiada força para destapar as ranhuras.

- Utilize uma faca afiada para separar as tampas antes de as retirar.
 - Retire as tampas cuidadosamente.
-

- Se o compartimento do filtro for instalado ao mesmo nível da tampa do aquário, destape cuidadosamente a respetiva posição opcional na tampa do aquário (Figuras B e C).
- Se o compartimento do filtro for instalado abaixo da tampa do aquário, destape cuidadosamente as guias para os cabos de ligação do filtro e da unidade de aquecimento (Figuras B e C).
- Utilize uma pequena lima para desbastar as extremidades das guias do cabo ou das posições opcionais se estas apresentarem extremidades afiadas.
- Direcione os cabos de ligação do filtro e da unidade de aquecimento para cima e para fora do aquário.
- Siga as instruções que acompanham o compartimento do filtro, o filtro e a unidade de aquecimento para concluir a instalação.

Instalar outros aparelhos elétricos

Pode instalar no aquário outros aparelhos elétricos, como por exemplo outras unidades de aquecimento, se assim desejar.

- Retire as fichas de todos os aparelhos elétricos instalados no aquário.
- Instale os aparelhos elétricos conforme indicado nas instruções de utilização relevantes ou noutras instruções fornecidas pelo fabricante.
- Destape cuidadosamente as guias dos cabos de ligação necessárias e as posições opcionais na tampa do aquário (Figuras B e C).
- Prossiga de acordo com a descrição efetuada na secção anterior.

Ligar e dar início

- Ligue os aparelhos elétricos instalados no aquário, tal como indicado nas instruções apensas.

Lâmpada LED

➤ Introduza a ficha na tomada elétrica. Existem duas posições que permitem selecionar a cor da iluminação:

- Iluminação diurna: O candeeiro emite luz de cor branca.
- Iluminação noturna: O candeeiro emite luz de cor azul. Desta forma, cria-se um bonito efeito de luar.
- A luz deve estar acesa cerca de 8 a 12 horas por dia.
- Pode recorrer a um temporizador para ligar e desligar a luz diurna automaticamente.

Limpeza

- Retire as fichas de todos os aparelhos elétricos instalados no aquário.
- Esvazie o tanque.

ATENÇÃO!

A limpeza incorreta do aquário pode danificá-lo ou contaminar o conteúdo do tanque.

- Nunca utilize objetos duros, pontiagudos ou afiados para efeitos de limpeza.
- Utilize esponjas ou panos macios.
- Utilize apenas água limpa ou produtos especiais indicados para a limpeza do aquário. Estes produtos estão disponíveis no seu revendedor.
- Os cantos do tanque devem ser limpos cuidadosamente para impedir que as juntas coladas às paredes de vidro se danifiquem.

- Limpe o aquário cuidadosamente.

Manutenção

- Retire as fichas de todos os aparelhos elétricos instalados no aquário.



CUIDADO

Os pedaços de vidro partido podem provocar cortes.

- Tome as devidas precauções para não partir o tanque.
- Caso o tanque se parta, não toque nos pedaços de vidro partido.
- Utilize luvas.
- Retire os pedaços de vidro partido cuidadosamente.

- Limpe os aparelhos elétricos do aquário de acordo com as instruções respetivas.

Lâmpada LED

- Limpe a lâmpada LED com um pano seco ou ligeiramente húmido quando esta estiver suja.
- O candeeiro não pode ser substituído. Quando atingir o fim da sua vida útil, a lâmpada LED deve ser substituída.

Apoio técnico

Em caso de falhas ou avarias, contacte o seu revendedor ou o centro de Serviço Técnico da Tetra.

Dados técnicos

Linhas AquaArt Explorer	30 l Peixes vermelhos	30 l Lagostins	60 l
Capacidade	30 l	30 l	60 l
Peso líquido do tanque	6,9 kg	6,9 kg	13 kg
Peso bruto (com água)	37 kg	37 kg	73 kg
Dimensões	C: 28 cm L: 41 cm A: 51 cm	C: 28 cm L: 41 cm A: 51 cm	C: 36 cm L: 51 cm A: 61 cm
Tetra EasyCrystal	Filtro 250	Filtro 250	Compartimento do filtro 300
Unidade de aquecimento	–	–	Tetra HT50

Lâmpada LED

Tensão	220 - 240 V ~ 50/60 Hz		
Consumo de energia, iluminação diurna	4 W	4 W	6 W
Consumo de energia, iluminação noturna	1,5 W	1,5 W	1,5 W
Proteção classe	II	II	II
Classe de proteção	IP X7	IP X7	IP X7

Eliminação

Existem leis regionais e nacionais sobre a eliminação ecológica de módulos eletrónicos, materiais recicláveis e outros componentes.

- Contacte as autoridades locais para obter informação relevante sobre a eliminação de aparelhos.
- Cumpra os requisitos legais quando eliminar os componentes.



Garantia

Graças às nossas modernas técnicas de produção, aos componentes de elevada qualidade e a um rigoroso controlo de qualidade podemos oferecer uma garantia de dois anos para as juntas adesivas do vidro do aquário e para o funcionamento dos aparelhos elétricos fornecidos. O período de garantia começa na data de compra. Conserve o recibo num local seguro. A garantia não poderá ser invocada em casos de utilização indevida ou falsificação, nem cobre o desgaste e a deterioração decorrentes da utilização normal das partes consumíveis.

Caso deseje efetuar uma reclamação, contacte o seu revendedor local ou Tetra GmbH, centro de Serviço Técnico da Tetra, Postfach 1580, D-49304 Melle, Alemanha, www.tetra.net.

Svensk översättning av de tyska originalanvisningarna

⚠ VARNING

- Denna enhet kan användas av barn som är 8 år eller äldre samt av personer med nedsatt fysisk eller mental förmåga eller brist på erfarenhet och kunskaper, förutsatt att de står under tillsyn eller har fått anvisningar om hur man använder produkten på ett säkert sätt och förstår riskerna med att använda den.
- Barn får inte leka med produkten.
- Barn får inte utföra rengörings- eller underhållsåtgärder utan tillsyn.
- Stäng av och koppla ur alla enheter i akvariet innan du för ner handen i vattnet.
- Det går inte att byta skadade anslutningskablar. Hela enheten måste bytas ut.

Säkerhetsanvisningar

Förhindra farliga situationer

- Koppla bara in LED-lampan i ett professionellt installerat vägguttag.
- Se till att elnätet är skyddat av en AC/DC-känslig jordfelsbrytare (RCCB).
- Anslut bara LED-lampan till elnätet om den lokala nätspänningen motsvarar de tekniska specifikationerna.
- Skydda nätkontakten från fukt.
- Vidrör aldrig elkablar och elkontakter till elektrisk utrustning med våta händer.
- Kontrollera att uttaget är skyddat mot inträngande vatten och fukt.
- Dra bara i kontakten för att ta ur den ur uttaget – dra inte i kabeln.
- Koppla alltid ur LED-lampan från nätspänningen innan du rengör eller utför någon underhållsuppgift.
- Låt inte barn leka med små delar eftersom det finns risk för kvävning.
- Stickkontakten måste vara lättåtkomlig så att du snabbt och enkelt kan koppla ur LED-lampan från elnätet vid en nödsituation.
- Utför aldrig några tekniska ändringar på enheten.

Förebygga materiella skador

- Nätspänningskabeln får inte böjas eller klämmas.
- Använd bara originalreservdelar och originaltillbehör.
- Flytta aldrig akvariet när det är fyllt.
- Rengör bara akvariet med mjuka trasor eller svampar.
- Använd bara rent vatten eller särskilda rengöringsprodukter för att rengöra akvariet.

Förord

Dessa anvisningar utgör en viktig del av produkten. Förvara anvisningarna i närheten av produkten. Om du lämnar produkten till någon annan, lämna med även bruksanvisningen.

Innehållsförteckning

Säkerhetsanvisningar	57
Förord	58
Innehållsförteckning	58
Bildförklaring	58
Typografiska konventioner i dessa anvisningar	58
Varningar och information	58
Avsedd användning	59
Installera LED-lampan	60
Installera filtret i Explorer Line 30 l	60
Ansluta och starta	61
LED-lampa	62
Rengöring	62
Underhåll	62
Teknisk support	62
Tekniska uppgifter	63
Avfallshantering	63
Garanti	63

Bildförklaring

(till figur A, B och D)

Nr	Beskrivning
1	LED-lampa
2	Akvarielock
3	Vattentank
4	Elkabel med kontakter
5	Ram
6	Filter (för Explorer Line 30 l) Filterbox med värmeelement (för Explorer Line 60 l)
7	Utfodringslucka
8	Kabelgenomföringar (stängda med täckplattor vid leveransen)
9	Alternativa positioner för elektrisk utrustning (stängda med täckplattor vid leveransen)
10	Ljusarm
11	Lampströmbrytare
12	Låsskruvar

Typografiska konventioner i dessa anvisningar

Olika delar i anvisningarna visas med specifika typografiska konventioner. Det gör att du snabbt kan identifiera typen av text:

Standardtext

Korsreferenser

- Listor eller
- Åtgärder

Varningar och information

Bruksanvisningen innehåller följande kategorier av varningar och anvisningar:

Varningar

VAR FÖRSIKTIG

Text som inleds med dessa ord varnar för en situation som kan leda till lätt eller medelsvår personskada.

Information

OBSERVERA!

Dessa texter varnar för en situation som kan leda till materiell skada eller miljöförorening.

Avsedd användning

Akvariet är uteslutande konstruerat för att hålla prydnadsfiskar och ryggradslösa djur som krabbor eller räkor. Den maximala vattentemperaturen 35 °C får inte överskridas. Akvariet är konstruerat för att enbart användas inomhus. LED-lampan får bara monteras och användas på detta akvarium.

Korrekt användning innefattar även att följa all information i dessa anvisningar och i alla bifogade anvisningar samt att följa säkerhetsinformationen.

Användning av produkten i något annat syfte betraktas som felaktig och kan leda till materiell skada eller personskada samt ogiltigförklara garantin.

I synnerhet får akvariet inte användas om:

- du utför otillåtna modifieringar eller reparationsarbete
- du använder akvariet på andra platser än inomhus.

Tetra GmbH tar inte ansvar för förlust eller skada som uppkommit vid felaktig användning.

Packa upp och installera

Det måste finnas korrekt installerade och jordade uttag (230 V ~ 50 Hz) nära installationsplatsen för den elektriska utrustningen i akvariet.

- Dra ut kontakterna för all elektrisk utrustning som är installerad i akvariet.
-

VAR FÖRSIKTIG

Glasskärvor kan orsaka skärskador.

- Se till att vattentanken inte går sönder.
 - Om den ändå går sönder, vidrör inte glasskärvorna.
 - Använd handskar.
 - Ta försiktigt bort alla glasskärvor.
-

OBSERVERA!

Om du packar upp akvariet på fel sätt kan akvarielocket skadas och glaset gå sönder.

- Lyft bara akvariet i ramen.
 - Lyft och flytta alltid akvariet tillsammans med en annan person.
-

- Öppna förpackningen.

- Lyft försiktigt upp akvariet ur förpackningen.
-

OBSERVERA!

Akvariet kan skadas om du väljer en olämplig plats för det.

- Se till uppställningsplatsen är platt, horisontell och vattentät.
 - Försäkra dig om att uppställningsplatsen klarar akvariets vikt.
-

Uppställningsplatsens bärcapacitet måste vara så hög att den klarar tre gånger vikten för ett fyllt akvarium. Information om bruttovikten finns i avsnittet *Tekniska uppgifter* på sida 9.

- Placera akvariet med ramen nederst i önskad position.
- Ta ut alla delar som finns i vattentanken.
- Rengör vattentanken från eventuell smuts.
- Använd aldrig hårda, spetsiga eller vassa föremål för att rengöra.
- Använd mjuka trasor eller svampar.
- Tillsätt varmt kranvatten med en temperatur på ca 25 °C i vattentanken.
- Kontrollera om tanken läcker.
- Om akvariet läcker, töm det och returnera tanken till återförsäljaren för att få den utbytt.

Installera LED-lampan

(Figur A och B)

- Dra ut kontakterna för all elektrisk utrustning som är installerad i akvariet.
- Installera LED-lampan i den avsedda positionen (figur A).
- Dra inte åt låsskruvarna för LED-lampan för hårt eftersom akvarieväggen kan skadas.

Installera filtret i Explorer Line 30 I

AquaArt Explorer Line 30 I Crayfish och AquaArt Explorer Line 30 I Goldfish är utrustade med EasyCrystal Filter 250.

- Dra ut kontakterna för all elektrisk utrustning som är installerad i akvariet.
- Ta av akvarielocket.
- Välj en rak (inte krökt) monteringsyta för filtret inuti tanken.
- Se till att filtret monteras på nödvändigt avstånd från basen och från utrustningen i akvariet.

De nödvändiga avstånden finns angivna i de medföljande anvisningarna för filtret.

- Se till att du uppfyller kraven på vattennivå som anges i anvisningarna för filtret.
- Montera filtret vertikalt på insidan av vattentanken enligt vad som visas i anvisningarna för filtret.

Kabelgenomföringarna och de alternativa positionerna för elektrisk utrustning är stängda med täckplattor vid leveransen. Täckplattorna kan tas bort för hand eller med en tång.

OBSERVERA!

Om du använder alltför stor kraft för att ta bort en täckplatta kan akvarielocket skadas.

- Skära kanterna på täckplattan med en vass kniv innan du tar bort det.
- Ta försiktigt bort täckplattan.

-
- Om filtret ska monteras i nivå med akvarielocket tar du försiktigt bort plattan i önskad alternativa position i akvarielocket (figur B och C).
 - Om filtret ska monteras nedanför akvarielocket tar du försiktigt bort täckplattan från en kabelgenomföring för elkabeln (figur B och C).
 - Om kabelgenomföringen eller hålet efter den alternativa positionen har en vass kant ska du jämna till kanten med en liten fil.
 - Led elkabeln uppåt och ut ur akvariet.
 - Följ de medföljande anvisningarna för filtret för återstoden av installationen.

Installera filterbox och värmeelement i Explorer Line 60 I

AquaArt Explorer Line 60 I är utrustat med EasyCrystal FilterBox 300. Filterboxen innehåller filtret och det medföljande värmeelementet.

- Dra ut kontakterna för all elektrisk utrustning som är installerad i akvariet.
- Ta av akvarielocket.
- Välj en rak (inte krökt) monteringsyta för filterboxen inuti tanken.
- Se till att filtret monteras på nödvändigt avstånd från basen och från utrustningen i akvariet.

De nödvändiga avstånden finns angivna i de medföljande anvisningarna för filterboxen.

- Se till filterboxen monteras på tillräckligt djup (se specifikationerna på utsidan av filterboxen).
- Montera filterboxen vertikalt på insidan av vattentanken enligt vad som visas i anvisningarna för filterboxen.
- Installera värmeelementet i filterbox enligt anvisningarna för filterboxen.

Vid leveransen är kabelgenomföringarna och de alternativa positionerna för elektrisk utrustning är stängda med täckplattor. Täckplattorna kan tas bort för hand eller med en tång.

OBSERVERA!

Om du använder alltför stor kraft för att ta bort en täckplatta kan akvarielocket skadas.

- Skåra kanterna på täckplattan med en vass kniv innan du tar bort det.
- Ta försiktigt bort täckplattan.

- Om filterboxen ska monteras i nivå med akvarielocket tar du försiktigt bort plattan i önskad alternativa position i akvarielocket (figur B och C).
- Om filterboxen ska monteras nedanför akvarielocket tar du försiktigt bort täckplattorna från kabelgenomföringarna för filtrets och värmeelementets elkablar (figur B och C).
- Om kabelgenomföringarna eller hålet efter den alternativa positionen för utrustning har vassa kanter ska du jämna till kanterna med en liten fil.
- Led elkablarna för filtret och värmeelementet uppåt och ut ur akvariet.
- Följ de medföljande anvisningarna för filterboxen, filtret och värmeelementet för återstoden av installationen.

Installera ytterligare elektrisk utrustning

Vid behov kan du installera ytterligare elektrisk utrustning (till exempel värmeelement) i akvariet.

- Dra ut kontakterna för all elektrisk utrustning som är installerad i akvariet.
- Installera elektrisk utrustning enligt relevanta anvisningar och andra anvisningar från tillverkaren.
- Ta försiktigt bort täckplattorna från önskade kabelgenomföringar och alternativa positioner i akvarielocket (figur B och C).
- Fortsätt enligt beskrivningen i föregående avsnitt.

Ansluta och starta

- Starta den elektriska utrustningen som är installerad i akvariet enligt de medföljande anvisningarna.

LED-lampa

- Sätt in kontakten i eluttaget.

Det finns två omkopplingspositioner för att välja färg på ljuset:

- Dagsljus: Lampan avger vitt dagsljus.
- Nattbelysning: Lampan avger blått ljus. Detta skapar en fin månskenseffekt.
- Belysningen ska helst vara tänd 8–12 timmar per dag.
- Med hjälp av en timer kan du tända och släcka dagsljusbelysningen automatiskt.

Rengöring

- Dra ut kontaktarna för all elektrisk utrustning som är installerad i akvariet.
- Töm vattentanken.

OBSERVERA!

Felaktig rengöring kan skada akvariet eller förgifta innehållet i vattentanken.

- Använd aldrig hårda, spetsiga eller vassa föremål för att rengöra.
- Använd mjuka trasor eller svampar.
- Använd bara rent vatten eller särskilda rengöringsprodukter för att rengöra akvariet. Rengöringsprodukter finns att få hos din återförsäljare.
- Var särskilt noga med att rengöra hörnen i vattentanken för att förhindra skador på limfogarna mellan glasväggarna.

- Rengör akvariet noggrant.

Underhåll

- Dra ut kontaktarna för all elektrisk utrustning som är installerad i akvariet.



VAR FÖRSIKTIG

Glasskärvor kan orsaka skärskador.

- Se till att vattentanken inte går sönder.
- Om den ändå går sönder, vidrör inte glasskärvorna.
- Använd handskar.
- Ta försiktigt bort alla glasskärvor.

- Utför underhåll på den elektriska utrustningen i akvariet enligt de medföljande anvisningarna.

LED-lampa

- Rengör LED-lampan med en torr eller lätt fuktad trasa om den är smutsig.
- Ljuskällan går inte att byta ut. När ljuskällan har nått slutet av sin livslängd måste LED-lampan bytas ut.

Teknisk support

Kontakta återförsäljaren eller Tetra Technik Service Center i händelse av fel.

Tekniska uppgifter

AquaArt Explorer Line	30 l Goldfish	30 l Crayfish	60 l
Volym	30 l	30 l	60 l
Tankens nettovikt	6,9 kg	6,9 kg	13 kg
Bruttovikt (med vatten)	37 kg	37 kg	73 kg
Mått	L: 28 cm B: 41 cm H: 51 cm	L: 28 cm B: 41 cm H: 51 cm	L: 36 cm B: 51 cm H: 61 cm
Tetra EasyCrystal	Filter 250	Filter 250	FilterBox 300
Värmeelement	–	–	Tetra HT50
LED-lampa			
Spänning	220–240 V ~ 50/60 Hz		
Effekt dagsljus	4 W	4 W	6 W
Effekt nattbelysning	1,5 W	1,5 W	1,5 W
Skyddsklass	II	II	II
Kapslingsklass	IP X7	IP X7	IP X7

Avfallshantering

Det finns nationell och lokal lagstiftning som föreskriver miljövänlig avfallshantering av elektroniska enheter, återvinningsbart material och andra komponenter.

- Kontakta de lokala myndigheterna för att få relevant information om avfallshantering.
- Följ de lagstadgade kraven för kassering av komponenterna.



Garanti

Våra moderna tillverkningstekniker, högkvalitativa komponenter och strikta kvalitetskontroller gör det möjligt för oss att lämna två års garanti på akvariets limmade glasfogar och för funktionen hos de medföljande elektriska enheterna. Garantiperioden börjar vid inköpsdatumet. Förvara kvittot på ett säkert ställe. Inga garantianspråk kan ställas i händelse av felaktig användning och manipulering. Garantin täcker heller inte normalt slitage av förbrukningsdelar.

Vid eventuella klagomål, kontakta återförsäljaren eller Tetra GmbH, Tetra Technik Service Center, Postfach 1580, D-49304 Melle, Tyskland, www.tetra.net.

Dansk oversættelse af de oprindelige anvisninger på tysk

ADVARSEL

- Dette produkt kan anvendes af børn fra 8 år og af personer med nedsat fysisk, sensorisk eller mental funktionsevne eller med manglende erfaring eller viden, så længe de er under opsyn eller vejledes i sikker betjening af produktet og er klar over de risici, som anvendelse af produktet indebærer.
- Apparatet er ikke beregnet som legetøj til børn.
- Rengøring eller vedligeholdelse af produktet må ikke udføres af børn, medmindre de er under opsyn.
- Stik ikke hænderne ned i vandet, før alle apparater i akvariet er slukket, og strømstikket er trukket ud.
- Ledningerne kan ikke udskiftes i tilfælde af beskadigelse. I så fald skal produktet bortskaffes.

Sikkerhedsanvisninger

Forebyggelse af farlige situationer

- LED-lampen må kun tilsluttes i en autoriseret installeret stikkontakt.
- Kontroller, at elinstallationen er beskyttet med en AC/DC-fejlstrømsafbryder.
- LED-lampen må kun tilsluttes lysnet med forsyningsspænding, der svarer til specifikationerne i de tekniske data.
- Beskyt strømstikket mod fugt.
- Elledninger og stik til elapparater må ikke berøres med våde hænder.
- Der må ikke kunne trænge vand og fugt ind i stikkontakten.
- Træk altid selve stikket ud af stikkontakten (træk ikke i ledningen).
- Afbryd altid strømmen til LED-lampen inden rengøring eller vedligeholdelse.
- På grund af kvælningfare må børn ikke lege med smådelene.
- Det skal være muligt at komme til strømstikket, så ledningen til LED-lampen nemt og hurtigt kan tages ud af stikkontakten i nødstilfælde.
- Der må under ingen omstændigheder foretages tekniske ændringer af apparatet.

Forebyggelse af produktbeskadigelse

- Lysnetledningen må ikke bøjes eller komme i klemme.
- Brug kun originale reservedele og tilbehørsdele.
- Akvariet må under ingen omstændigheder transporteres med vand i.
- Akvariet må kun rengøres med en blød klud eller svamp.
- Ved rengøring skal der bruges rent vand eller rengøringsprodukter beregnet til akvarier.

Forord

Disse anvisninger er en vigtig del af dette produkt. Opbevar vejledningen i nærheden af produktet. Husk at vedlægge vejledningen, hvis produktet sælges/gives videre til anden side.

Indhold

Sikkerhedsanvisninger	64
Forord	65
Indhold	65
Forklaring	65
Vejledningens layout	65
Advarsler og information	65
Beregnet til	66
Montering af LED-lampen	67
Montering af filtret i Explorer Line 30 I akvariet	67
Tilslut og tænd	68
LED-lampe	68
Rengøring	69
Vedligeholdelse	69
Teknisk support	69
Tekniske data	69
Bortskaffelse	70
Garanti	70

Forklaring

(til fig. A, B, D)

Nr.	Beskrivelse
1	LED-lampe
2	Akvarielåg
3	Akvarium
4	Strømledninger med stik
5	Ramme
6	Filter (til Explorer Line 30 I) Filterkasse med varmeelement (til Explorer Line 60 I)
7	Foderlem
8	Ledningsstyr (afblændet ved levering)
9	Åbninger til elektrisk ekstraudstyr (afblændet ved levering)
10	Lampearm
11	Lysafbryder
12	Monteringsskruer

Vejledningens layout

Denne vejledning har en bestemt layoutopbygning. Dette er de forskellige typer af tekst, og hvad de betyder:

Almindelig tekst

Hensvisninger

- Lister eller

➤ Fremgangsmåder

Advarsler og information

I denne betjeningsvejledning er der følgende kategorier af advarsler og anvisninger:

Advarsler

FORSIGTIG!

Meddelelser, hvor der står Forsigtig!, advarer om situationer, der medfører mindre eller moderat personskade.

Information

OBS!

Disse meddelelser advarer om situationer, der medfører tingsskade eller miljøforurening.

Beregnet til

Akvariet er udelukkende beregnet til at holde prydfisk og hvirvelløse dyr, som f.eks. krabber og rejer. Vandtemperaturen må højst være 35° C. Akvariet er kun beregnet til indendørs brug. LED-lampen må kun monteres og bruges på dette akvarium.

Korrekt brug af produktet omfatter desuden at overholde al information i denne vejledning og i alle øvrige medfølgende anvisninger samt at overholde sikkerhedsinformationen.

Det anses for forkert brug af produktet at bruge det til andre formål, hvilket kan resultere i skade på ting eller personskade, og garantien vil bortfalde.

Akvariet må specifikt ikke bruges i følgende tilfælde:

- Hvis du foretager ændringer eller reparation, som ikke er godkendt.
- Ved brug udendørs.

Tetra GmbH påtager sig intet ansvar for tab eller skade pådraget på grund af forkert brug.

Udpakning og montering

Stikkontakter i nærheden af akvariet til dets elektriske udstyr skal være forskriftsmæssigt installeret og jordet (230 V ~ 50 Hz).

- Tag stikkene ud til alt elektrisk udstyr i akvariet.
-

FORSIGTIG!

Der er risiko for at skære sig på glasskår.

- Pas på, at akvarieglasset ikke går i stykker.
 - Rør ikke ved glasskårene med bare hænder, hvis akvariet går i stykker.
 - Brug handsker.
 - Fjern alle glasskår forsigtigt.
-

OBS!

Akvarielåget kan blive beskadiget, og glasset kan gå i stykker, hvis produktet udpakkes forkert.

- Akvariet må kun løftes i rammen.
 - Løft og bær altid akvariet med hjælp fra en anden person.
-
- Åbn emballagen.
 - Løft akvariet ud af emballagen.
-

OBS!

Akvariet kan blive beskadiget, hvis det placeres et sted, der ikke er egnet.

- Underlaget skal være fladt, vandret og vandtæt.
 - Kontroller, at placeringsstedet kan bære vægten af akvariet.
-

Placeringsstedet skal kunne bære det tredobbelte af det fyldte akvariums vægt. Se afsnittet *Tekniske data* på side 9 for information om akvariets bruttovægt.

- Sæt akvariet med rammen nederst det ønskede sted.
- Tag alle delene ud af akvariet.
- Rengør akvariet for eventuelt smuds.
- Der må ikke bruges hårde, spidse eller skarpe genstande til at rengøre akvariet.
- Brug i stedet en blød klud eller svamp.
- Kom varmt vand (ca. 25° C) fra hanen i akvariet.
- Kontroller akvariet for tæthed.
- Hvis akvariet lækker vand, skal det tømmes og returneres til forhandleren for at få det byttet.

Montering af LED-lampen

(fig. A og B)

- Tag stikkene ud til alt elektrisk udstyr i akvariet.
- Monter LED-lampen det anviste sted (fig. A).
- Spænd ikke monteringskruerne til LED-lampen for hårdt, da det kan beskadige akvarieglaset.

Montering af filtret i Explorer Line 30 I akvariet

Til AquaArt Explorer Line 30 I akvariet til krebs og AquaArt Explorer Line 30 I akvariet til guldfisk medfølger EasyCrystal Filter 250.

- Tag stikkene ud til alt elektrisk udstyr i akvariet.
- Tag akvarielåget af.
- Vælg et monteringssted, hvor akvariet ikke buer, til at placere filtret.
- Sørg for at placere filtret med de nødvendige afstandsmål til bunden og udstyr i akvariet.

Afstandsmålene er anvist i den medfølgende vejledning til filtret.

- Sørg for at overholde vandstanden som anvist for filtret.

- Fastgør filtret lodret indvendigt i akvariet, som vist i vejledningen til filtret.

Ledningsstyrene og åbningerne til elektrisk ekstraudstyr er afblændet ved leveringen. Blænddækslerne kan fjernes med fingrene eller en tang.

OBS!

Akvarielåget kan blive beskadiget, hvis der trykkes for hårdt ved fjernelse af blænddækslerne.

- Rids langs kanten af blænddækslet med en skarp kniv, inden du fjerner det.
 - Fjern dækslet forsigtigt.
-

- Hvis filtret placeres plant med akvarielåget, skal blænddækslet fjernes forsigtigt fra den relevante ekstraudstursåbning i akvarielåget (fig. B og C).
- Hvis filtret placeres under akvarielåget, skal dækslet fjernes forsigtigt fra et af ledningsstyrene til strømledningen (fig. B og C).
- Hvis der er skarpe kanter i ledningsstyrene eller åbningerne til ekstraudstyr, skal de files af med en lille fil.
- Før strømledningen op og ud af akvariet.
- Færdiggør monteringen ved at følge den medfølgende vejledning til filtret.

Montering af filterkassen og varmeelementet i Explorer Line 60 I akvariet

Til AquaArt Explorer Line 60 I akvariet medfølger EasyCrystal FilterBox 300, hvor filtret er placeret. Her findes også det medfølgende varmeelement.

- Tag stikkene ud til alt elektrisk udstyr i akvariet.
- Tag akvarielåget af.
- Vælg et monteringssted, hvor akvariet ikke buer, til at placere filterkassen.

- Sørg for at placere filtret med de nødvendige afstandsmål til bunden og udstyr i akvariet.

Afstandsmålene er anvist i den medfølgende vejledning til filterkassen.

- Sørg for at overholde minimummålet for nedsænkingsdybden (som anvist uden på filterkassen).
- Fastgør filterkassen lodret indvendigt i akvariet, som vist i vejledningen til filterkassen.
- Monter varmeelementet i filterkassen, som beskrevet i vejledningen til filterkassen.

Ledningsstyrene og åbningerne til elektrisk ekstraudstyr i akvarielåget er afblændet ved leveringen. Blænddækslerne kan fjernes med fingrene eller en tang.

OBS!

Akvarielåget kan blive beskadiget, hvis der trykkes for hårdt ved fjernelse af blænddækslerne.

- Rids langs kanten af blænddækslet med en skarp kniv, inden du fjerner det.
- Fjern dækslet forsigtigt.

-
- Hvis filterkassen placeres plant med akvarielåget, skal blænddækslet fjernes forsigtigt fra den relevante ekstraudstysåbning i akvarielåget (fig. B og C).
 - Hvis filterkassen placeres under akvarielåget, skal dækslerne fjernes forsigtigt fra ledningsstyrene til filtrets og varmeelementets strømledninger (fig. B og C).
 - Hvis der er skarpe kanter i ledningsstyrene eller åbningerne til ekstraudstyr, skal de files af med en lille fil.
 - Før strømledningerne til filtret og varmeelementet op og ud af akvariet.

- Færdiggør monteringen ved at følge den medfølgende vejledning til filterkassen, filtret og varmeelementet.

Montering af elektrisk ekstraudstyr

Der kan monteres elektrisk ekstraudstyr (f.eks. varmeelementer) i akvariet, hvis det ønskes.

- Tag stikkene ud til alt elektrisk udstyr i akvariet.
- Monter elektrisk udstyr, som beskrevet i den relevante brugsanvisning og øvrige vejledninger fra producenten.
- Fjern blænddækslerne forsigtigt fra de ønskede ledningsstyr og åbninger til ekstraudstyr i akvarielåget (fig. B og C).
- Følg dernæst beskrivelsen i forrige afsnit.

Tilslut og tænd

- Tænd for det elektriske udstyr, der er monteret i akvariet, som beskrevet i de medfølgende vejledninger.

LED-lampe

- Sæt stikket i stikkontakten.

Lysknappen kan sættes i 2 stillinger alt efter det ønskede lys:

- Dagbelysning: Lampen lyser hvidt.
- Natbelysning: Lampen lyser blå. Det giver en flot månelyseffekt.
- Lampen bør ideelt være tændt i 8-12 timer dagligt.
- Dagbelysningen kan tændes og slukkes automatisk med en timer.

Rengøring

- Tag stikkene ud til alt elektrisk udstyr i akvariet.
- Tøm akvariet.

OBS!

Hvis akvariet ikke rengøres rigtigt, kan det blive beskadiget, eller indholdet i akvariet kan blive forgiftet.

- Der må ikke bruges hårde, spidse eller skarpe genstande til at rengøre akvariet.
- Brug i stedet en blød klud eller svamp.
- Der må kun bruges rent vand eller et specialprodukt til rengøring af akvarier. Dette kan købes hos forhandleren.
- Det er især vigtigt at rengøre forsigtigt i hjørnerne af akvariet for ikke at beskadige glassidernes limsamlinger.

- Rengør akvariet grundigt.

Vedligeholdelse

- Tag stikkene ud til alt elektrisk udstyr i akvariet.

⚠ FORSIGTIG!

Der er risiko for at skære sig på glasskår.

- Pas på, at akvarieglasset ikke går i stykker.
- Rør ikke ved glasskårene med bare hænder, hvis akvariet går i stykker.
- Brug handsker.
- Fjern alle glasskår forsigtigt.

- Vedligeholdelse af det elektriske udstyr i akvariet skal udføres, som beskrevet i de medfølgende vejledninger.

LED-lampe

- Hvis LED-lampen er snavset, kan den tørres af med en tør eller let fugtet klud.
- Lyskilden kan ikke udskiftes. Når dens levetid er ophørt, skal LED-lampen udskiftes.

Teknisk support

Kontakt din lokale forhandler eller Tetra Technik Service Center i tilfælde af fejl.

Tekniske data

AquaArt Explorer Line	30 l til guldfisk	30 l til krebs	60 l
Rumindhold	30 l	30 l	60 l
Akvariets nettovægt	6,9 kg	6,9 kg	13 kg
Bruttovægt (med vand)	37 kg	37 kg	73 kg
Mål	L: 28 cm B: 41 cm H: 51 cm	L: 28 cm B: 41 cm H: 51 cm	L: 36 cm B: 51 cm H: 61 cm
Tetratec Easy Crystal filter	Filter 250	Filter 250	FilterBox 300
Varmeelement	–	–	Tetra HT50
LED-lampe			
Spænding	220-240 V ~ 50/60 Hz		
Strøm til dagbelysning	4 W	4 W	6 W
Strøm til natbelysning	1,5 W	1,5 W	1,5 W
Beskyttelsesklasse	II	II	II
Beskyttelsesklasse	IP X7	IP X7	IP X7

Bortskaffelse

Der er lovkrav om miljøvenlig bortskaffelse af elektronisk udstyr, genvindelige materialer og øvrige komponenter.

- Kontakt kommunen for information om bortskaffelse.
- Overhold de gældende lovkrav ved bortskaffelse af komponenterne.



Garanti

Tetras moderne produktionsmetoder, kvalitetskomponenter og strenge kvalitetskontroller betyder, at vi kan yde 2 års garanti på akvarieglassests limsamlinger og på funktionen af det medfølgende elektriske udstyr. Garantiperioden er gældende fra købsdatoen. Sørg for at beholde kvitteringen. Garantien dækker ikke forkert brug eller ændringer, der ikke er tilladt, og den dækker ikke almindelig slitage af forbrugsdele.

Reklamationer bedes rettet til din lokale forhandler eller Tetra GmbH, Tetra Technik Service Center, Postfach 1580, D-49304 Melle, Tyskland, www.tetra.net.

Tłumaczenie oryginalnej niemieckiej instrukcji użytkowania na język polski

⚠ OSTRZEŻENIE

- Urządzenie może być obsługiwane przez dzieci w wieku 8 lat i starsze oraz przez osoby o ograniczonej sprawności fizycznej, sensorycznej lub umysłowej, a także przez osoby nieposiadające stosownego doświadczenia ani wiedzy, jeśli pracują one pod nadzorem lub jeśli udzielono im instrukcji bezpiecznego stosowania urządzenia i wyjaśniono związane z tym zagrożenia.
- Dzieciom nie wolno bawić się urządzeniem.
- Dzieciom nie wolno czyścić urządzenia ani wykonywać innych prac konserwacyjnych bez nadzoru.
- Przed włożeniem rąk do wody należy wyłączyć wszelkie urządzenia w akwarium i odłączyć je od źródła zasilania.
- Uszkodzone przewody nie podlegają wymianie. Urządzenie należy wyrzucić.

Instrukcje bezpieczeństwa

Zapobieganie niebezpiecznym sytuacjom

- Oprawę oświetleniową LED należy podłączać wyłącznie do profesjonalnie zamontowanego gniazda sieciowego.
- Sprawdzić, czy instalacja elektryczna jest zabezpieczona wyłącznikiem różnicowoprądowym prądu stałego i zmiennego (AC/DC).
- Zasilacz oprawy oświetleniowej LED można podłączyć do sieci zasilania tylko pod warunkiem, że lokalne napięcie zasilania jest zgodne z danymi wyszczególnionymi w specyfikacji technicznej urządzenia.
- Chronić wtyczkę zasilania przed wilgocią.
- Nie wolno nigdy dotykać przewodów zasilających ani wtyczek urządzenia elektrycznego mokrymi rękami.
- Należy sprawdzić, czy gniazdko jest zabezpieczone przed przenikaniem wody i wilgoci.
- Przy wyciąganiu wtyczki z gniazdka należy ciągnąć za wtyczkę – nie wolno ciągnąć za przewód zasilający.
- Przed przystąpieniem do czyszczenia lub prac konserwacyjnych zawsze należy odłączyć oprawę oświetleniową LED od sieci zasilania.
- Ze względu na ryzyko zadławienia nie wolno dopuścić, aby dzieci bawiły się małymi elementami urządzenia.
- Wtyczka zasilania musi znajdować się w łatwo dostępnym miejscu, tak aby możliwe było szybkie i proste odłączenie oświetlenia LED od sieci zasilania w sytuacji zagrożenia.
- Nie wolno dokonywać żadnych zmian technicznych w urządzeniu.

Zapobieganie szkodom materialnym

- Nie należy wyginać ani zgniatać przewodu zasilania.
- Należy stosować wyłącznie oryginalne części i akcesoria.
- Nie wolno przenosić akwarium, gdy jest wypełnione wodą.
- Akwarium należy czyścić wyłącznie przy użyciu miękkich ściereczek i gąbek.
- Do celów związanych z czyszczeniem należy używać wyłącznie czystej wody lub specjalnych produktów akwaryistycznych.

Wstęp

Niniejsza instrukcja stanowi integralną część produktu. Należy ją przechowywać w pobliżu produktu. Przy przekazywaniu produktu kolejnemu użytkownikowi należy pamiętać o dołączeniu instrukcji.

Spis treści

Instrukcje bezpieczeństwa.....	71
Wstęp	72
Spis treści.....	72
Legenda	72
Struktura niniejszej instrukcji użytkowania	72
Ostrzeżenia i informacje	72
Przeznaczenie.....	73
Montaż oprawy oświetleniowej LED	74
Montaż filtra w akwarium Explorer Line 30 l.....	74
Podłączenie i uruchomienie	76
Oprawa oświetleniowa LED	76
Czyszczenie	76
Konserwacja	77
Pomoc techniczna	77
Dane techniczne.....	77
Usuwanie	78
Gwarancja	78

Legenda

(do ilustracji A, B, D)

Nr	Opis
1	Oprawa oświetleniowa LED
2	Pokrywa akwarium
3	Zbiornik
4	Przewód zasilania z wtyczkami
5	Rama
6	Filtr (do zestawu akwariowego Explorer Line 30 l) Pojemnik na filtr z grzałką (do zestawu akwariowego Explorer Line 60 l)
7	Kłapka do karmienia
8	Wyprowadzenia przewodów (w momencie dostawy zamknięte zaślepkami)
9	Opcjonalne miejsca na urządzenia elektryczne (w momencie dostawy zamknięte zaślepkami)
10	Stelaż oświetlenia
11	Przełącznik oświetlenia
12	Śruby mocujące

Struktura niniejszej instrukcji użytkowania

Zdefiniowano konwencje stylistyczne w niniejszej instrukcji. Dzięki nim można szybko rozpoznać rodzaj tekstu:

Tekst standardowy

Odniesienia

- Zestawienia lub

➤ Czynności

Ostrzeżenia i informacje

Niniejsza instrukcja użytkowania zawiera następujące kategorie ostrzeżeń i instrukcji:

Ostrzeżenia

PRZESTROGA

Uwagi zawierające słowo PRZESTROGA ostrzegają przed sytuacją, która może skutkować lekkimi lub umiarkowanymi obrażeniami.

Informacja

UWAGA!

Uwagi te ostrzegają przed sytuacją, która skutkuje szkodami materialnymi lub zanieczyszczeniem środowiska.

Przeznaczenie

Akwarium jest przeznaczone wyłącznie do hodowli ryb ozdobnych i bezkręgowców, takich jak kraby czy krewetki. Nie wolno przekraczać maksymalnej temperatury wody 35°C. Akwarium przeznaczone jest do użytku wyłącznie w pomieszczeniach. Oprawa oświetleniowa LED może być montowana i użytkowana wyłącznie z tym akwarium.

Prawidłowe użytkowanie obejmuje również uwzględnianie wszystkich informacji zawartych w niniejszej instrukcji oraz we wszystkich załączonych instrukcjach, a także przestrzeganie informacji dotyczących bezpieczeństwa.

Użycie produktu do innych celów jest uważane za niewłaściwe i może skutkować uszkodzeniem mienia lub obrażeniami ciała oraz powoduje unieważnienie gwarancji.

W szczególności nie wolno użytkować akwarium w następujących przypadkach:

- W przypadku dokonywania nieautoryzowanych modyfikacji lub napraw.
- W przypadku użytkowania akwarium poza pomieszczeniami zamkniętymi.

Firma Tetra GmbH nie ponosi odpowiedzialności za straty lub szkody powstałe wskutek niewłaściwego użytkowania.

Rozpakowywanie i montaż

W pobliżu miejsca ustawienia akwarium muszą znajdować się fachowo zainstalowane i uziemione gniazdka wtykowe (230 V ~ 50 Hz) dla urządzeń elektrycznych występujących w akwarium.

- Wyciągnąć z gniazd wtyczki wszystkich urządzeń elektrycznych zainstalowanych w akwarium.

PRZESTROGA

Niebezpieczeństwo skałeczeń z powodu odłamków stłuczonego szkła.

- Zachować ostrożność, by nie rozbić zbiornika.
- Jeśli zbiornik ulegnie rozbiciu, nie dotykać odłamków szkła.
- Włożyć rękawice.
- Ostrożnie pobierać wszystkie odłamki szkła.

UWAGA!

Pokrywa akwarium może ulec uszkodzeniu, a szkło może pęknąć, jeśli będzie rozpakowane w sposób nieprawidłowy.

- Akwarium można podnosić wyłącznie za ramę.
 - Akwarium należy zawsze podnosić i przenosić przy pomocy drugiej osoby.
-

- Otworzyć opakowanie.
- Ostrożnie wyjąć akwarium z opakowania.

UWAGA!

Wybór nieodpowiedniego miejsca ustawienia akwarium może skutkować jego uszkodzeniem.

- Sprawdzić, czy miejsce ustawienia akwarium jest płaskie, poziome i odporne na działanie wody.
- Sprawdzić, czy jego nośność jest odpowiednia do ciężaru urządzenia.

Nośność miejsca ustawienia musi być wystarczająca, by utrzymać trzykrotny ciężar napełnionego akwarium. Informacje na temat ciężaru brutto można znaleźć w rozdziale zatytułowanym *Dane techniczne* od strony 9.

- Umieścić akwarium w przeznaczonym na nie miejscu ramą w dół.
- Wyjąć wszystkie elementy, które znajdują się w zbiorniku.
- Usunąć ze zbiornika ewentualne zanieczyszczenia.
- Do czyszczenia nie wolno używać żadnych twardych, ostro zakończonych ani ostrych przedmiotów.
- Używać miękkich ściereczek lub gąbek.
- Do zbiornika wlać ciepłą wodę z kranu o temperaturze ok. 25°C.
- Sprawdzić szczelność zbiornika.
- Jeśli akwarium przecieka, opróżnić je i zwrócić zbiornik do dystrybutora w celu wymiany.

Montaż oprawy oświetleniowej LED

(Rysunki A i B)

- Wyciągnąć z gniazd wtyczki wszystkich urządzeń elektrycznych zainstalowanych w akwarium.
- Zamontować oprawę oświetleniową LED we właściwym miejscu (rysunek A).
- Nie dokręcać nadmiernie śrub mocujących oprawę oświetleniową LED, aby uniknąć uszkodzenia ściany akwarium.

Montaż filtra w akwarium Explorer Line 30 I

Zestawy AquaArt Explorer Line 30 I Crayfish i AquaArt Explorer Line 30 I Goldfish są dostarczane z filtrem EasyCrystal Filter 250.

- Wyciągnąć z gniazd wtyczki wszystkich urządzeń elektrycznych zainstalowanych w akwarium.
- Zdjąć pokrywę akwarium.
- Do montażu filtra w akwarium wybrać miejsce wewnątrz zbiornika przy ścianie, która nie jest zakrzywiona.
- Sprawdzić, czy filtr znajduje się w wymaganej odległości od podstawy i innych urządzeń w akwarium.

Wymagane odległości podano w załączonej instrukcji obsługi filtra.

- Sprawdzić, czy spełnione są wymagania dotyczące poziomu wody określone w instrukcji obsługi filtra.
- Zamocować filtr pionowo wewnątrz zbiornika, jak pokazano w instrukcji obsługi filtra.

Wyprowadzenia przewodów i opcjonalne miejsca na urządzenia elektryczne w pokrywie akwarium w momencie dostawy są zamknięte zaślepkami. Osłony można zdejmować ręcznie lub przy użyciu szczypiec.

UWAGA!

Pokrywa akwarium może ulec uszkodzeniu, jeśli do zdjęcia pokrywy zostanie użyta zbyt duża siła.

- Przed wyłamaniem zaślepki należy zarysować jej krawędzie ostrym nożem.
- Zdjąć ostrożnie pokrywę.

- Jeśli filtr jest zamontowany na poziomie pokrywy akwarium, należy ostrożnie zdjąć pokrywę z odpowiedniego opcjonalnego elementu mocującego na pokrywie akwarium (rysunki B i C).
- Jeżeli filtr jest zainstalowany pod pokrywą akwarium, należy ostrożnie zdjąć pokrywę z przewodnicy kabla sieciowego (rysunki B i C).
- Jeśli przewodnice przewodów lub opcjonalne mocowania mają ostre krawędzie, należy je wygładzić je za pomocą małego pilnika.
- Poprowadzić przewód zasilający w górę i wyprowadzić go z akwarium.
- Postępować zgodnie z załączonymi instrukcjami dotyczącymi filtra i wykonać pozostałe czynności montażowe.

Montaż pojemnika na filtr z grzałką w zestawie akwariowym Explorer Line 60 I

Zestaw akwariowy AquaArt Explorer Line 60 I jest dostarczany z pojemnikiem na filtr EasyCrystal FilterBox 300. Zawiera on filtr. Ponadto służy on do przechowywania dostarczonej grzałki.

- Wyciągnąć z gniazd wtyczki wszystkich urządzeń elektrycznych zainstalowanych w akwarium.

- Zdjąć pokrywę akwarium.
- Do montażu pojemnika na filtr w akwarium wybrać miejsce wewnątrz zbiornika przy ścianie, która nie jest zakrzywiona.
- Sprawdzić, czy filtr znajduje się w wymaganej odległości od podstawy i innych urządzeń w akwarium.

Wymagane odległości podano w załączonej instrukcji obsługi pojemnika na filtr.

- Sprawdzić, czy spełnione są minimalne wymagania dotyczące głębokości zanurzenia (podane na zewnątrz pojemnika na filtr).
- Zamocować pojemnik na filtr pionowo wewnątrz zbiornika, jak pokazano w instrukcji obsługi pojemnika na filtr.
- Zamontować grzałkę w pojemniku na filtr zgodnie z instrukcją pojemnika na filtr.

W momencie dostawy wyprowadzenia przewodów i opcjonalne miejsca na urządzenia elektryczne w pokrywie akwarium zamknięte są zaślepkami. Osłony można zdejmować ręcznie lub przy użyciu szczypiec.

UWAGA!

Pokrywa akwarium może ulec uszkodzeniu, jeśli do zdjęcia pokrywy zostanie użyta zbyt duża siła.

- Przed wyłamaniem zaślepki należy zarysować jej krawędzie ostrym nożem.
- Zdjąć ostrożnie pokrywę.

- Jeśli pojemnik filtra jest zamontowany na poziomie pokrywy akwarium, należy ostrożnie zdjąć pokrywę z odpowiedniego opcjonalnego elementu mocującego na pokrywie akwarium (rysunki B i C).
- Jeżeli pojemnik filtra jest zainstalowany pod pokrywą akwarium, należy ostrożnie zdjąć pokrywę z wyprowadzenia przewodu sieciowego filtra i grzałki (rysunki B i C).

- Jeżeli wprowadzenia przewodu lub miejsca opcjonalne mają ostre krawędzie po wyłamaniu zaślepek, należy wygładzić je małym pilnikiem.
- Wyprowadzić przewody sieciowe z filtra i z grzałki z akwarium do góry.
- Podczas dalszego montażu postępować zgodnie z opisem w załączonych instrukcjach użytkowania pojemnika filtra, filtra i grzałki.

Montaż dodatkowych urządzeń elektrycznych

W razie potrzeby można zamontować w akwarium dodatkowe urządzenia elektryczne (np. grzałki).

- Wyciągnąć z gniazd wtyczki wszystkich urządzeń elektrycznych zainstalowanych w akwarium.
- Urządzenia elektryczne należy zamontować zgodnie z odpowiednią instrukcją użytkowania i innymi informacjami producenta.
- Ostrożnie wyłączyć z pokrywy akwarium zaślepki potrzebnych wprowadzeń przewodów i miejsc opcjonalnych (rysunki B i C).
- Postępować przy tym, jak opisano w poprzednim punkcie.

Podłączenie i uruchomienie

- Uruchomić urządzenia elektryczne występujące w akwarium zgodnie z załączonymi instrukcjami użytkowania.

Oprawa oświetleniowa LED

- Umieścić wtyczkę w gniazdku.

Dwa położenia przełącznika umożliwiają wybór kolorów oświetlenia:

- Oświetlenie dzienne: Element oświetleniowy emituje białe światło dzienne.
- Oświetlenie nocne: Element oświetleniowy emituje światło niebieskie. Pozwala to na uzyskanie atrakcyjnego efektu światła księżycowego.
- Światło powinno być włączone przez 8–12 godzin dziennie.
- Oświetlenie dzienne może być włączane i wyłączane automatycznie za pomocą timera.

Czyszczenie

- Wyciągnąć z gniazd wtyczki wszystkich urządzeń elektrycznych zainstalowanych w akwarium.
- Opróżnić zbiornik.

UWAGA!

Możliwość uszkodzenia akwarium lub zatrucia zawartości zbiornika w wyniku nieprawidłowego czyszczenia.

- Do czyszczenia nie wolno używać żadnych twardych, ostro zakończonych ani ostrych przedmiotów.
- Używać miękkich ściereczek lub gąbek.
- Używać wyłącznie czystej wody lub specjalnych środków do czyszczenia akwarium. Można je nabyć u dystrybutora.
- Zachować ostrożność podczas czyszczenia, zwłaszcza w narożnikach zbiornika, aby nie uszkodzić klejonych połączeń szklanych ścian.

-
- Dokładnie oczyścić akwarium.

Konserwacja

- Wyciągnąć z gniazd wtyczki wszystkich urządzeń elektrycznych zainstalowanych w akwarium.

PRZESTROGA

Niebezpieczeństwo skaleczeń z powodu odłamków stłuczonego szkła.

- Zachować ostrożność, by nie rozbić zbiornika.
 - Jeśli zbiornik ulegnie rozbiciu, nie dotykać odłamków szkła.
 - Włożyć rękawice.
 - Ostrożnie pobierać wszystkie odłamki szkła.
-
- Przeprowadzić prace konserwacyjne urządzeń elektrycznych w akwarium zgodnie z załączoną instrukcją.

Oprawa oświetleniowa LED

- Gdy dojdzie do zabrudzenia oświetlenia LED, należy je oczyścić suchą lub lekko wilgotną ściereczką.
- Źródło światła nie podlega wymianie. Gdy jego okres eksploatacji dobiegnie końca, oświetlenie LED należy zastąpić nowym produktem.

Pomoc techniczna

W przypadku wad należy zwrócić się do sprzedawcy lub do centrum serwisowego Tetra Technik.

Dane techniczne

AquaArt Explorer Line	30 l Goldfish	30 l Crayfish	60 l
Objętość	30 l	30 l	60 l
Masa netto zbiornika	6,9 kg	6,9 kg	13 kg
Masa brutto (z wodą)	37 kg	37 kg	73 kg
Wymiary	D: 28 cm S: 41 cm W: 51 cm	D: 28 cm S: 41 cm W: 51 cm	D: 36 cm S: 51 cm W: 61 cm
Tetra EasyCrystal	Filter 250	Filter 250	FilterBox 300
Grzałka	–	–	Tetra HT50
Oprawa oświetleniowa LED			
Napięcie	220–240 V ~ 50/60 Hz		
Oświetlenie dzienne	4 W	4 W	6 W
Wydajne oświetlenie nocne:	1,5 W	1,5 W	1,5 W
Klasa ochronności:	II	II	II
Stopień ochrony	IP X7	IP X7	IP X7

Usuwanie

Istnieją krajowe i regionalne przepisy dotyczące przyjaznego dla środowiska usuwania modułów elektronicznych, materiałów nadających się do recyklingu i innych komponentów.

- W celu uzyskania informacji na temat utylizacji prosimy o kontakt z lokalnym organem.
- Przy utylizacji komponentów należy przestrzegać obowiązujących przepisów prawa.



Gwarancja

Nasze nowoczesne techniki produkcji, wysokiej jakości komponenty i rygorystyczne kontrole jakości pozwalają nam na udzielenie dwuletniej gwarancji na klejone złącza szklane akwarium oraz na działanie dostarczonych urządzeń elektrycznych. Okres gwarancji rozpoczyna się w dniu zakupu. Przechowywać paragon w bezpiecznym miejscu. W przypadku nieprawidłowego użytkowania i ingerencji osób niepowołanych nie przysługują żadne roszczenia z tytułu gwarancji, a gwarancja nie obejmuje normalnego zużycia elementów ulegających zużyciu.

W przypadku reklamacji należy zwrócić się do sprzedawcy lub do centrum serwisowego Tetra Technik w firmie Tetra GmbH, Postfach 1580, D-49304 Melle, Niemcy, www.tetra.net.

Český překlad německého originálního návodu k použití

⚠ VAROVÁNÍ

- Toto zařízení smí používat děti od 8 let a osoby se sníženými tělesnými, smyslovými nebo duševními schopnostmi nebo nedostatkem zkušeností a znalostí jen pod dohledem a po poučení, jak zařízení bezpečně používat. Tyto osoby musí být způsobilé a chápat nebezpečí spojená s tímto zařízením.
- Se zařízením si nesmí hrát děti.
- Děti nesmí zařízení bez dohledu čistit ani provádět údržbu.
- Před prováděním jakýchkoli činností v akváriu, jako je např. montáž, čištění, výměna vody apod., vždy odpojte veškerá elektrická zařízení z elektrické sítě.
- Poškozené síťové kabely nelze vyměnit. Zařízení zlikvidujte.

Bezpečnostní pokyny

Prevence před vznikem nebezpečných situací

- LED osvětlení zapojte pouze do odborně nainstalované zásuvky.
- Ujistěte se, že napájecí zdroj je chráněn proudovým chráničem (AC/DC) citlivým na zbytkový proud (RCCB).
- LED osvětlení připojte k elektrické síti pouze v případě, že napájecí napětí odpovídá hodnotě uvedené v technických údajích.
- Síťovou zástrčku chraňte před vlhkostí.
- Nikdy se nedotýkejte napájecích kabelů a zástrček elektrických zařízení mokřima rukama.
- Ujistěte se, že zásuvka je odolná proti průniku vody a vlhkosti.
- Nikdy při vytahování zástrčky ze zásuvky netahejte za napájecí šňůru.
- Před čištěním nebo před prováděním jakýchkoli úkonů údržby vždy odpojte LED osvětlení z elektrické sítě.
- Nedovolte dětem, aby si hrály s malými částmi – hrozí nebezpečí udušení.
- Síťová zástrčka musí být volně dostupná, aby se v naléhavém případě LED světlo dalo snadno a rychle odpojit z elektrické sítě.
- Na zařízení nikdy neprovádějte žádné technické změny.

Prevence vzniku hmotných škod

- Síťový kabel neohýbejte ani nemačkejte.
- Používejte pouze originální náhradní díly a příslušenství.
- Nikdy nepřevážujte akvárium, pokud je naplněno vodou.
- Akvárium čistěte pouze měkkým hadříkem nebo houbičkou.
- Pro čištění používejte výhradně čistou vodu nebo speciální čisticí prostředky pro akvária.

Předmluva

Tyto pokyny tvoří nedílnou součást výrobku. Uchovávejte tyto pokyny v blízkosti výrobku. Při předávání výrobku prosím předejte i tento návod k použití.

Obsah

Bezpečnostní pokyny	79
Předmluva	80
Obsah	80
Popisek	80
Konvence stylů v tomto návodu	80
Varování a informace	80
Určené použití	81
Instalace LED osvětlení	82
Instalace filtru do akvária Explorer Line 30 I	82
Připojení a spuštění	83
LED osvětlení	84
Čištění	84
Údržba	84
Technická podpora	84
Technické údaje	85
Likvidace	85
Záruka	85

Popisek

(k obr. A, B, D)

Č.	Popis
1	LED osvětlení
2	Víko akvária
3	Akvárium
4	Napájecí kabel se zástrčkami
5	Rám
6	Filtr (pro akvárium Explorer Line 30 I) Skříňka filtru s topným článkem (pro akvárium Explorer Line 60 I)
7	Klapka pro krmení
8	Vodítka kabelů (při dodání jsou uzavřena kryty)
9	Volitelné pozice pro elektrická zařízení (při dodání jsou uzavřeny záslepkami)
10	Osvětlovací rameno
11	Spínač osvětlení
12	Zajišťovací šrouby

Konvence stylů v tomto návodu

Různé prvky v tomto návodu obsahují definované konvence stylů. Díky tomu můžete rychle rozpoznat typ dotyčného textu:

Standardní text

Křížové odkazy

- Seznamy nebo
- Činnosti

Varování a informace

Tento návod k obsluze obsahuje následující kategorie varovných upozornění a pokynů:

Varování

UPOZORNĚNÍ

Poznámky obsahující slovo UPOZORNĚNÍ varují před situací, která vede k lehkým nebo středně těžkým zraněním.

Informace

POZOR!

Tyto poznámky upozorňují na situaci, která vede k hmotným škodám nebo znečištění životního prostředí.

Určené použití

Akvárium je určeno výhradně k chovu okrasných ryb a bezobratlých živočichů, např. krabů nebo krevet. Maximální teplota vody 35 °C nesmí být překročena. Akvárium je určeno k použití pouze v uzavřených prostorách. LED osvětlení smí být instalováno a provozováno pouze v tomto akváriu.

Správné používání zahrnuje i veškeré informace uvedené v tomto návodu a ve všech připojených pokynech, které jsou v souladu bezpečnostními předpisy.

Použití výrobku k jakémukoli jinému účelu se považuje za nevhodné a může vést k poškození majetku nebo ke zranění osob a způsobit zneplatnění záruky.

Akvárium se nesmí používat zejména v následujících případech:

- Pokud na něm provedete neoprávněné úpravy nebo opravy.
- Používáte-li akvárium mimo uzavřené prostory.

Společnost Tetra GmbH nepřebírá odpovědnost za ztráty nebo škody způsobené nesprávným použitím.

Vybalení a instalace

V blízkosti místa instalace akvária musí existovat řádně nainstalovaná a uzemněná zásuvka (230 V ~ 50 Hz) pro elektrická zařízení umístěná v akváriu.

- Vytáhněte zástrčky všech elektrických zařízení instalovaných v akváriu.

UPOZORNĚNÍ

Úlomky skla mohou způsobit poranění.

- Zajistěte, abyste akvárium nepoškodili.
- Jestliže se akvárium rozbije, skleněných střepech se nedotýkejte.
- Použijte rukavice.
- Všechny skleněné střepech opatrně odstraňte.

POZOR!

Při nesprávném vybalování se víko akvária může poškodit a sklo se může rozbít.

- Při zvedání držte akvárium výhradně za rám.
- Akvárium vždy zvedejte a převázejte v součinnosti s jinou osobou.

- Akvárium rozbalte.

- Opatrně ho z obalu vyjměte.

POZOR!

Pokud pro akvárium vyberete nevhodné místo, může se poškodit.

- Zajistěte, aby akvárium bylo nainstalováno ve vodorovné poloze, na rovném vodotěsném povrchu.
- Ujistěte se, že nosnost místa instalace je pro celou jednotku akvária dostatečná.

Nosnost musí být minimálně trojnásobná než je hmotnost plného akvária. Informace o hrubé hmotnosti naleznete v části *Technické údaje*, která začíná na straně 9.

- Akvárium s nosným rámem dole umístěte na požadované místo.
- Z akvária vyjměte všechny předměty.
- Z akvária odstraňte všechny nečistoty.
- Při čištění akvária nikdy nepoužívejte tvrdé, ostré nebo špičaté předměty.
- Použijte měkký hadřík nebo houbičku.
- Do akvária přidejte vodovodní vodu o teplotě cca 25 °C.
- Zkontrolujte, zda akvárium dobře těsní.
- Pokud akvárium netěsní, vyprázdněte ho a vraťte prodejci k výměně.

Instalace LED osvětlení

(obr. A a B)

- Vytáhněte zástrčky všech elektrických zařízení instalovaných v akváriu.
- Namontujte LED osvětlení na určené místo (obr. A).
- Zajišťovací šrouby LED osvětlení příliš neutahujte, aby nedošlo k poškození stěny akvária.

Instalace filtru do akvária Explorer Line 30 I

Akvária AquaArt Explorer Line 30 I Crayfish a AquaArt Explorer Line 30 I Goldfish se dodávají s filtrem EasyCrystal Filter 250.

- Vytáhněte zástrčky všech elektrických zařízení instalovaných v akváriu.
- Z akvária odstraňte víko.
- Filtr instalujte na vnitřní straně akvária v místě, kde stěna není zakřivená.

- Ujistěte se, že filtr se nachází v požadované vzdálenosti od základny akvária a od veškerého vybavení akvária.

Požadované vzdálenosti jsou uvedeny v pokynech dodávaných s filtrem.

- Zkontrolujte, zda splňujete požadavky ohledně hladiny vody stanovené v návodu k filtru.
- Filtr zajistěte ve svislé poloze na vnitřní straně akvária, jak je uvedeno v návodu k filtru.

Vodítka kabelů a volitelné pozice pro elektrická zařízení ve víku akvária jsou při dodání uzavřeny kryty a záslepkami. Kryty lze odstranit ručně nebo pomocí kleští.

POZOR!

Pokud k odstranění krytu použijete příliš velkou sílu, víko akvária se může poškodit.

- Před sejmutím krytu přejeďte okraje krytu ostrým nožem.
 - Opatrně sejměte kryt.
-

- Pokud je filtr nainstalován v úrovni víka akvária, opatrně odstraňte kryt příslušné volitelné pozice ve víku akvária (obr. B a C).
- Pokud je filtr nainstalován pod úrovní víka akvária, opatrně odstraňte kryt vodítka pro napájecí kabel (obr. B a C).
- Pokud vodítka kabelů nebo volitelné pozice mají ostré okraje, vyhladte je malým pilníkem.
- Napájecí kabel vedte nahoru a pak ven z akvária.
- Postupujte podle příložených pokynů pro filtr a dokončete instalaci.

Instalace skříňky filtru s topným článkem do akvária Explorer Line 60 I

Akvárium AquaArt Explorer Line 60 I se dodává se skříňkou filtru EasyCrystal FilterBox 300. V této skříňce je umístěn filtr. Skříňka navíc chrání dodávaný topný článek.

- Vytáhněte zástrčky všech elektrických zařízení instalovaných v akváriu.
- Z akvária odstraňte víko.
- Skříňku filtru instalujte na vnitřní straně akvária v místě, kde stěna není zakřivená.
- Ujistěte se, že filtr se nachází v požadované vzdálenosti od základny akvária a od veškerého vybavení akvária.

Požadované vzdálenosti jsou uvedeny v pokynech dodávaných se skříňkou filtru.

- Ujistěte se, že splňujete minimální ponornou hloubku (jak je uvedeno na vnější straně skříňky filtru).
- Skříňku filtru zajistěte ve svislé poloze na vnitřní straně akvária, jak je uvedeno v návodu ke skříňce filtru.
- Namontujte topný článek do skříňky filtru, jak je popsáno v návodu ke skříňce filtru.

Vodítka kabelů a volitelné pozice pro elektrická zařízení ve víku akvária jsou při dodání uzavřeny kryty a záslepkami. Kryty lze odstranit ručně nebo pomocí kleští.

POZOR!

Pokud k odstranění krytu použijete příliš velkou sílu, víko akvária se může poškodit.

- Před sejmutím krytu přejeďte okraje krytu ostrým nožem.
- Opatrně sejměte kryt.

- Pokud je skříňka filtru nainstalována v úrovni víka akvária, opatrně odstraňte kryt příslušné volitelné pozice ve víku akvária (obr. B a C).
- Pokud je skříňka filtru nainstalována pod úrovní víka akvária, opatrně odstraňte kryty vodítek pro napájecí kabely filtru a topného článku (obr. B a C).
- Pokud vodítka kabelů nebo volitelné pozice mají ostré okraje, vyhleďte je malým pilníkem.
- Napájecí kabely filtru a topného článku vedte nahoru a pak ven z akvária.
- Postupujte podle příložených pokynů pro skříňku filtru, filtr a topný článek a dokončete instalaci.

Instalace dalších elektrických zařízení

Do akvária můžete v případě potřeby nainstalovat i další elektrická zařízení (např. topné články).

- Vytáhněte zástrčky všech elektrických zařízení instalovaných v akváriu.
- Elektrická zařízení instalujte podle pokynů v příslušných návodech k použití a dalších pokynů dodaných výrobcem.
- Opatrně odstraňte kryty z příslušných vodítek kabelů a záslepek volitelných pozic ve víku akvária (obr. B a C).
- Postupujte podle pokynů v předchozí části.

Připojení a spuštění

- Elektrická zařízení nainstalovaná v akváriu zapněte v souladu s připojenými pokyny.

LED osvětlení

➤ Zasuňte zástrčku do zásuvky.

Pro výběr barvy osvětlení slouží dvě polohy přepínačů:

- Denní osvětlení: Osvětlovací jednotka vyzařuje denní bílé světlo.
- Noční osvětlení: Osvětlovací jednotka vyzařuje modré světlo. Tím vzniká působivý efekt měsíčního světla.
- Ideální bývá, když je osvětlení zapnuté 8 až 12 hodin denně.
- Pomocí časovače lze denní světlo automaticky zapínat a vypínat.

Čištění

➤ Vytáhněte zástrčky všech elektrických zařízení instalovaných v akváriu.

➤ Vyprázdněte akvárium.

POZOR!

Nesprávné čištění může akvárium poškodit nebo otrávit vodu v akváriu.

- Při čištění akvária nikdy nepoužívejte tvrdé, ostré nebo špičaté předměty.
- Použijte měkký hadřík nebo houbičku.
- Při čištění používejte pouze čistou vodu nebo speciální čisticí prostředky pro akvária. Ty vám může poskytnout váš prodejce.
- Zejména rohy akvária se musí čistit pečlivě, aby nedošlo k poškození lepených spár skleněných stěn akvária.

➤ Akvárium čistěte opatrně.

Údržba

➤ Vytáhněte zástrčky všech elektrických zařízení instalovaných v akváriu.

UPOZORNĚNÍ

Úlomky skla mohou způsobit poranění.

- Zajistěte, abyste akvárium nepoškodili.
- Jestliže se akvárium rozbije, skleněných střepech se nedotýkejte.
- Použijte rukavice.
- Všechny skleněné střepech opatrně odstraňte.

➤ Údržbu elektrických zařízení nainstalovaných v akváriu provádějte v souladu s přípojenými pokyny.

LED osvětlení

- Když se LED osvětlení znečistí, očistěte ho suchým nebo mírně navlhčeným hadříkem.
- Světelný zdroj není vyměnitelný. Po skončení životnosti je nutno vyměnit celé LED osvětlení.

Technická podpora

V případě poruchy se obraťte na svého místního prodejce nebo na servisní středisko Tetra Technik.

Technické údaje

AquaArt Explorer Line	30 l Goldfish	30 l Crayfish	60 l
Objem	30 l	30 l	60 l
Čistá hmotnost akvária	6,9 kg	6,9 kg	13 kg
Hrubá hmotnost (s vodou)	37 kg	37 kg	73 kg
Rozměry	D: 28 cm Š: 41 cm V: 51 cm	D: 28 cm Š: 41 cm V: 51 cm	D: 36 cm Š: 51 cm V: 61 cm
Tetra EasyCrystal	Filter 250	Filter 250	FilterBox 300
Topný článek	–	–	Tetra HT50
LED osvětlení			
Napětí	220–240 V ~ 50/60 Hz		
Příkon denního osvětlení:	4 W	4 W	6 W
Příkon nočního osvětlení:	1,5 W	1,5 W	1,5 W
Třída ochrany	II	II	II
Stupeň krytí	IP X7	IP X7	IP X7

Likvidace

K ekologicky šetrné likvidaci elektronických modulů, recyklovatelných materiálů a dalších komponent existují národní a regionální zákony.

- Příslušné informace o likvidaci vám sdělí místní úřady.
- Při likvidaci součástí dodržujte zákonné požadavky.



Záruka

Naše moderní výrobní postupy, vysoce kvalitní komponenty a přísné kontroly jakosti nám umožňují poskytovat dvouletou záruku na lepené skleněné spoje akvária a na funkčnost dodávaných elektrických zařízení. Záruční doba začíná dnem nákupu. Účtenku uložte na bezpečném místě. Nárok na záruku nelze uplatnit v případě nesprávného použití a neoprávněné manipulace; záruka se nevztahuje na běžné opotřebení spotřebních dílů.

V případě reklamace se obraťte na svého prodejce nebo na společnost Tetra GmbH, Tetra Technik Service Center, Postfach 1580, D-49304 Melle, Německo, www.tetra.net.

Перевод оригинальных инструкций с немецкого языка на русский

⚠ ПРЕДУПРЕЖДЕНИЕ.

- Это устройство может использоваться детьми в возрасте старше восьми лет, лицами с ограниченными физическими, сенсорными или умственными способностями, а также лицами с нехваткой опыта и знаний при условии осуществления за ними контроля или проведения предварительного инструктажа о безопасном способе применения устройства и ознакомления с потенциальными опасностями при использовании.
- Не допускайте, чтобы дети играли с устройством.
- Очистка и обслуживание могут проводиться детьми только под присмотром взрослых.
- Перед тем как приступить к установке устройства в аквариуме, отключите все находящиеся в воде электрические устройства от сети.
- Поврежденные соединительные кабели не подлежат замене. Устройство должно быть утилизировано.

Правила безопасности

Предотвращение рисков

- Светодиодную подсветку следует подключать только к розетке, установленной квалифицированными специалистами.
- Убедитесь в том, что система электропитания подключена к сети через устройство защитного отключения, реагирующее на переменный и постоянный ток (УЗО).
- Подключайте светодиодную подсветку только при условии, что подаваемое питающее напряжение соответствует требованиям, указанным в техническом паспорте изделия.
- Избегайте попадания влаги на вилку.
- Прикасаться к кабелям электропитания и вилкам электроприборов мокрыми руками строго запрещается.
- Убедитесь в том, что розетка защищена от воды и влаги.
- Чтобы извлечь вилку из розетки, тяните непосредственно за вилку, а не за кабель электропитания.
- Перед очисткой или осуществлением каких-либо процедур по обслуживанию обязательно отключайте светодиодную подсветку от сети электропитания.
- Не позволяйте детям играть с мелкими деталями, так как существует риск удушья.
- Доступ к вилке должен быть свободным, чтобы в случае возникновения чрезвычайной ситуации светодиодную подсветку можно было легко и быстро отсоединить от сети электропитания.
- Ни в коем случае не вносите какие-либо технические изменения в конструкцию устройства.

Предотвращение материального ущерба

- Не перегибайте и не сдавливайте соединительный кабель электропитания.
- Используйте только оригинальные запасные детали и аксессуары.
- Транспортируйте аквариум только предварительно слив воду.
- Для очистки аквариума следует использовать только мягкую ткань или губки.
- Для очистки следует использовать только чистую воду или специальные чистящие средства для аквариума.

Введение

Эти инструкции являются неотъемлемой частью изделия. Храните их в непосредственной близости к изделию. Предоставлять изделие следует только в комплекте с этой инструкцией по эксплуатации.

Содержание

Правила безопасности	86
Введение.....	87
Содержание.....	87
Условные обозначения.....	87
Руководство по стилю инструкции.....	87
Предупреждения и общая информация	88
Использование по назначению.....	88
Установка светодиодной подсветки.....	89
Установка фильтра в Эксплорер Лайн на 30 л.....	89
Подключение и запуск.....	91
Светодиодная подсветка.....	91
Очищение.....	91
Обслуживание	92
Служба технической поддержки	92
Технические характеристики.....	92
Утилизация	93
Гарантия	93

Условные обозначения

(рис. А, В, D)

№	Описание
1	Светодиодная подсветка
2	Крышка аквариума
3	Резервуар
4	Кабель электропитания, вилки
5	Основание
6	Фильтр (для Эксплорер Лайн на 30 л) Фильтровальный блок, нагреватель (для Эксплорер Лайн на 60 л)
7	Отверстие для подачи корма
8	Направляющие кабеля (поставляются с защитным покрытием)
9	Дополнительные зоны для размещения электроприборов (поставляются с защитным покрытием)
10	Рукоятка подсветки
11	Переключатель освещения
12	Крепежные винты

Руководство по стилю инструкции

Каждый элемент инструкции соответствует определенному руководству по стилю. Таким образом, можно быстро распознать соответствующий тип текста:

стандартный текст;

перекрестные ссылки;

• списки;

➤ действия.

Предупреждения и общая информация

Далее описаны категории предупреждений и рекомендаций, которые изложены в этой инструкции по эксплуатации.

Предупреждения

ОСТОРОЖНО!

Текст со словом **ОСТОРОЖНО!** содержит предупреждение о ситуации, которая может привести к травмам легкой или средней степени тяжести.

Общая информация

ВНИМАНИЕ!

Такой текст содержит предупреждение о ситуации, которая может привести к материальному ущербу или загрязнению окружающей среды.

Использование по назначению

Аквариум предназначен только для декоративных рыб и беспозвоночных, например, крабов и креветок. Максимальная температура воды — 35 °С. Аквариум предназначен для использования исключительно в помещениях. Монтаж и эксплуатация светодиодной подсветки осуществляется только в комплекте с этим аквариумом.

В целях надлежащего использования также следует принять во внимание всю изложенную в этой и прилагаемых инструкциях информацию, а также соблюдать правила безопасности.

Использование изделия в каких-либо других целях расценивается как ненадлежащее, может привести к порче имущества или причинению вреда здоровью и аннулирует гарантию.

Аквариум, в частности, не следует использовать в следующих случаях:

- в случае осуществления запрещенных модификаций или ремонтных работ;
- в случае использования аквариума вне помещений.

Компания Tetra GmbH не несет ответственности за ущерб и повреждения, причиненные в результате ненадлежащего использования.

Распаковка и установка

Устанавливайте аквариум в непосредственной близости к надлежащим образом установленным и заземленным розеткам (230 В ~ 50 Гц) для электроприборов, которые сопряжены с резервуаром.

- Отключите от розеток все электроприборы, установленные в аквариуме.

ОСТОРОЖНО!

Риск пореза осколками стекла.

- Убедитесь в целостности резервуара.
- В случае повреждения резервуара не прикасайтесь к осколкам.
- Наденьте перчатки.
- Аккуратно уберите все осколки.

ВНИМАНИЕ!

Ненадлежащая распаковка может привести к повреждению крышки аквариума и стекла.

- Поднимайте аквариум только держась за основание.
- Поднимайте и транспортируйте аквариум только вдвоем.

- Откройте упаковку.
- Приподняв аквариум, аккуратно извлеките его из упаковки.

ВНИМАНИЕ!

Неадекватное размещение аквариума может привести к его повреждению.

- Аквариум следует размещать на плоской горизонтальной водонепроницаемой поверхности.
- Убедитесь в том, что поверхность установки выдержит вес изделия.

Поскольку после наполнения аквариума водой вес резервуара увеличится втрое, поверхность для установки должна выдерживать довольно высокий уровень нагрузки. Масса брутто указана в разделе *Технический паспорт* на стр. 9.

- Установите аквариум на основание в требуемое положение.
- Извлеките из резервуара все детали.
- Очистите резервуар от загрязнений.
- Для очистки запрещается использовать твердые или острые материалы.
- Используйте мягкую ткань или губки.
- Налейте в резервуар теплую водопроводную воду температурой приблизительно 25 °C.
- Проверьте, не протекает ли резервуар.
- В случае обнаружения утечки опустошите аквариум и верните резервуар дистрибьютору для замены.

Установка светодиодной подсветки

(рис. А и В)

- Отключите от розеток все электроприборы, установленные в аквариуме.
- Установите светодиодную подсветку в предусмотренной для нее зоне (рис. А).
- Во избежание повреждения стен аквариума не следует чрезмерно затягивать крепежные винты.

Установка фильтра в Эксплорер Лайн на 30 л

В комплект поставки аквариумов АкваАрт Эксплорер Лайн Крейфиш на 30 л и АкваАрт Эксплорер Лайн Голдфиш на 30 л входит фильтр ИзиКристал 250.

- Отключите от розеток все электроприборы, установленные в аквариуме.
- Снимите крышку аквариума.
- Фильтр следует устанавливать на ровной поверхности внутри аквариума.
- Обязательно соблюдайте рекомендованное расстояние между фильтром и основанием либо оборудованием аквариума.

Рекомендованное расстояние указано в прилагаемых к фильтру инструкциях.

- Обязательно соблюдайте требования относительно уровня воды (см. инструкции к фильтру).
- Установите фильтр в вертикальном положении внутри резервуара в соответствии с приведенными в инструкциях к фильтру изображениями.

Для защиты от повреждений направляющих кабеля и дополнительных зон для размещения электроприборов на крышке аквариума используется защитное покрытие. Удалить защитное покрытие можно вручную или с помощью пассатижей.

ВНИМАНИЕ!

Чрезмерное давление на защитное покрытие при его удалении может привести к повреждению крышки аквариума.

- Перед удалением защитного покрытия подденьте его края острым ножом.
- Аккуратно удалите защитное покрытие.

- Обязательно соблюдайте рекомендованное расстояние между фильтром и основанием либо оборудованием аквариума.

Рекомендованное расстояние указано в прилагаемых к фильтровальному блоку инструкциях.

- Обязательно соблюдайте минимальную глубину погружения (см. на внешней стороне фильтровального блока).
- Установите фильтровальный блок в вертикальном положении внутри резервуара в соответствии с приведенными в инструкциях к фильтровальному блоку изображениями.
- Установите нагреватель на фильтровальном блоке в соответствии с инструкциями к фильтровальному блоку.

Для защиты от повреждений направляющих кабеля и дополнительных зон для размещения электроприборов на крышке аквариума используется защитное покрытие. Удалить защитное покрытие можно вручную или с помощью пассатижей.

-
- При установке фильтра на одном уровне с крышкой аквариума аккуратно удалите защитное покрытие с соответствующей дополнительной зоны на крышке аквариума (рис. В и С).
 - При установке фильтра на одном уровне с крышкой аквариума аккуратно удалите защитное покрытие с направляющей кабеля электропитания (рис. В и С).
 - Если края направляющих кабеля и дополнительных зон заострены, сгладьте их с помощью пилки небольшого размера.
 - Кабель следует проложить по направлению вверх, а затем вывести его из аквариума.
 - Для завершения установки следуйте прилагаемым к фильтру инструкциям.

Установка фильтровального блока и нагревателя в Эксплорер Лайн на 60 л

В комплект поставки АкваАрт Эксплорер Лайн на 60 л входит ИзиКристал ФильтрБокс 300. Он предусматривает фильтр, а также нагреватель.

- Отключите от розеток все электроприборы, установленные в аквариуме.
- Снимите крышку аквариума.
- Фильтровальный блок следует устанавливать на ровной поверхности внутри аквариума.

ВНИМАНИЕ!

Чрезмерное давление на защитное покрытие при его удалении может привести к повреждению крышки аквариума.

- Перед удалением защитного покрытия подденьте его края острым ножом.
- Аккуратно удалите защитное покрытие.

-
- При установке фильтровального блока на одном уровне с крышкой аквариума аккуратно удалите защитное покрытие с соответствующей дополнительной зоны на крышке аквариума (рис. В и С).

- При установке фильтровального блока на одном уровне с крышкой аквариума аккуратно удалите защитное покрытие с направляющих кабелей электропитания фильтра и нагревателя (рис. В и С).
- Если края направляющих кабеля и дополнительных зон заострены, сгладьте их с помощью пилки небольшого размера.
- Кабель электропитания следует проложить по направлению вверх, а затем вывести его из аквариума.
- Для завершения установки следуйте прилагаемым к фильтровальному блоку, фильтру и нагревателю инструкциям.

Установка дополнительных электроприборов

При необходимости можно установить в аквариуме дополнительные электроприборы (например, нагреватели).

- Отключите от розеток все электроприборы, установленные в аквариуме.
- Установите электроприборы в соответствии с инструкцией по эксплуатации и другими рекомендациями производителя.
- Аккуратно удалите защитное покрытие с соответствующих направляющих кабеля и дополнительных зон на крышке аквариума (рис. В и С).
- Далее выполните действия, описанные в предыдущем разделе.

Подключение и запуск

- Выполните запуск установленных в аквариум электроприборов в соответствии с прилагаемыми инструкциями.

Светодиодная подсветка

- Вставьте вилку в розетку.

Для выбора цвета освещения предусмотрены две позиции переключателя:

- дневное освещение — осветительный прибор излучает белый дневной свет;
- ночное освещение — осветительный прибор излучает синий свет, создавая приятный эффект лунного света;
- в идеале время работы прибора должно составлять 8–12 часов в день;
- благодаря таймеру дневное освещение может включаться и выключаться автоматически.

Очищение

- Отключите от розеток все электроприборы, установленные в аквариуме.
- Опустошите резервуар.

ВНИМАНИЕ!

Очистка ненадлежащим образом может привести к повреждению аквариума или отравлению его обитателей.

- Для очистки запрещается использовать твердые или острые материалы.
- Используйте мягкую ткань или губки.
- Для очистки следует использовать только чистую воду или специальные чистящие средства для аквариумов. Эти продукты можно приобрести у дистрибьютора.
- Во избежание повреждения клеевых соединений стеклянных стен аквариума при очистке резервуара особое внимание следует уделять углам.

-
- При очистке аквариума следует соблюдать меры предосторожности.

Обслуживание

- Отключите от розеток все электроприборы, установленные в аквариуме.

ОСТОРОЖНО!

Риск пореза осколками стекла.

- Убедитесь в целостности резервуара.
 - В случае повреждения резервуара не прикасайтесь к осколкам.
 - Наденьте перчатки.
 - Аккуратно устраниите все осколки.
-
- Выполняйте обслуживание установленных в аквариуме электроприборов в соответствии с прилагаемыми инструкциями.

Светодиодная подсветка

- В случае загрязнения светодиодной подсветки, очистите ее с помощью сухой или слегка влажной ткани.
- Осветительный прибор не подлежит замене. По истечении срока службы светодиодную подсветку следует заменить.

Служба технической поддержки

В случае поломки обратитесь к местному дистрибьютору или в центр технического обслуживания Tetra Technic Service Center.

Технические характеристики

АкваАрт Эксплорер Лайн	30 л Голдфиш	30 л Крейфиш	60 л
Объем	30 л	30 л	60 л
Масса нетто резервуара	6,9 кг	6,9 кг	13 кг
Масса брутто (с водой)	37 кг	37 кг	73 кг
Размеры	Длина: 28 см. Ширина: 41 см. Высота: 51 см.	Длина: 28 см. Ширина: 41 см. Высота: 51 см.	Длина: 36 см. Ширина: 51 см. Высота: 61 см.
Тетра ИзиКристал	Фильтр 250	Фильтр 250	ФильтрБ окс 300
Нагреватель	–	–	Тетра НТ50

Светодиодная подсветка

Напряжение	220–240 В ~ 50–60 Гц		
Мощность (дневное освещение)	4 Вт	4 Вт	6 Вт
Мощность (ночное освещение)	1,5 Вт	1,5 Вт	1,5 Вт
Класс защиты	II	II	II
Степень защиты	IP X7	IP X7	IP X7

Утилизация

Утилизация электронных блоков, вторичного сырья и других компонентов производится в соответствии с государственным и местным законодательством без ущерба для окружающей среды.

- Для получения актуальной информации о методах утилизации обратитесь в местные органы власти.
- При утилизации следует соблюдать правовые нормы.



Гарантия

Благодаря современным технологиям производства, высококачественным компонентам и строгому контролю качества наша компания предоставляет двухлетнюю гарантию на клеевые соединения стеклянных стен аквариумов, а также на сопряженные электроприборы. Гарантийный период начинается с момента покупки. Храните чек в надежном месте. Претензии по гарантийным обязательствам невозможно выдвинуть в случае ненадлежащего использования, осуществления запрещенных модификаций и ремонтных работ. Гарантия также не распространяется на нормальный износ деталей одноразового использования.

Претензии рекомендуется направлять местному дистрибьютору или в центр технического обслуживания Tetra GmbH, Tetra Technik Service Center, Postfach 1580, D-49304 Melle, Germany (Германия), www.tetra.net.

Дистрибьюторы в Российской Федерации:
ООО "Оптовая Компания АКВА ЛОГО", 117420, г.

Москва, ул. Профсоюзная, д. 57;
ООО "Петснаб", 196084, г. Санкт-Петербург, ул. Ломаная, д.11, лит А;

АО «Валта Пет Продактс», 115230, г. Москва, Варшавское шоссе, д. 42, комната 3134;
ООО "Зоомастер", 236016, г. Калининград, ул. Фрунзе, 21-32 Дистрибьютор в Республике Беларусь: ЧТУП "Дайнат-юк" 220070, г. Минск, ул. Солтыса, 205-20

Дистрибьютер в Республике Казахстан: ИП «Котов А.А.» г. Алматы, ул. Толе би 160

Расшифровка даты производства: указана на стикере, приклеенному к кабелю 2 цифры:

Год производства

39 = 2017, 40 = 2018 и т.д.

Латинская буква:

Месяц производства

A= Январь, B= Февраль, C= Март, D= Апрель,
E= Май, F= Июнь, G= Июль, H= Август,
I= Сентябрь, J= Октябрь, K= Ноябрь,
L= Декабрь



Tetra GmbH
Herrenteich 78
D-49324 Melle
Germany



For more information: www.tetra.net

TL 50436/03-2019